



HOLTKÖTTER

2024 / 2025

The original logo, drawn by our founder Franz Holtkötter in the 1960s and used as the company's logo for over 40 years, now decorates the cover of our catalogue.

holtkötter

1964 - 2024

QUALITY MADE IN GERMANY

A Jubilee Journey from the first chandelier in 1964 to the most innovative, functional LED lighting in 2024.

The family business Holtkötter was founded in 1964 in Bad Waldliesborn, Westphalia, by Franz Holtkötter, an experienced master locksmith with a strong affinity for materials and surfaces and a passion for light.

Holtkötter quickly established itself as a manufacturer of high-quality residential lighting in the lighting industry. The first success came quickly in 1964: even before the company was officially founded, Holtkötter secured its first customer for brass chandeliers in New York. This laid the foundation for the company's international orientation. Until now, our customers not only from Germany but also from the Netherlands, Luxembourg, Belgium, France, Switzerland, Austria, Liechtenstein, Brazil, Australia, Canada, Denmark, Norway, and Sweden appreciate our products.

In 1990, the production site in Bad Waldliesborn was expanded, along with another facility in Liesborn, located just 5 kilometres from the original site. This expansion significantly increased manufacturing capacities. To this day, the two facilities house various departments responsible for the production of high-quality luminaires. The combination of traditional craftsmanship and the latest technology guarantees the highest quality of our lighting products.

Tools and new luminaire models are developed in our in-house toolmaking department. The incoming raw materials, mostly aluminium or brass, are processed into elegant shapes on turning and milling machines. In the grinding, electroplating, and painting departments, the material is refined and given its distinctive surface. The materials are assembled with the utmost care, subjected to quality control, and packaged.

While many lighting manufacturers have shifted their production to the Far East in the course of globalization, Holtkötter remains true to its roots and continues to manufacture to the highest standards in Germany. The accumulated experience of six decades, excellent craftsmanship, and comprehensive production depth enable us to produce a quality that is rarely surpassed worldwide.

With our strong foundation in traditional German craftsmanship, experienced employees, and a clear focus on innovation and quality made in Germany, Holtkötter is well-positioned for continued success in the future.

index

DIALux	4-5
Plissee	6-25
Liv	26-31
Golyo	32-35
Fidelio	36-49
Favor	50-61
Naxos	62-69
Janus	70-77
SuperNova	78-105
Type	106-113

Avior	114-121
Xena	122-127
Epsilon	128-135
Aura	136-147
Nova	148-165
Plano	166-185
Flex	186-205
Vita	206-211
Fifties	212-221
Holtkötter classic	222-237

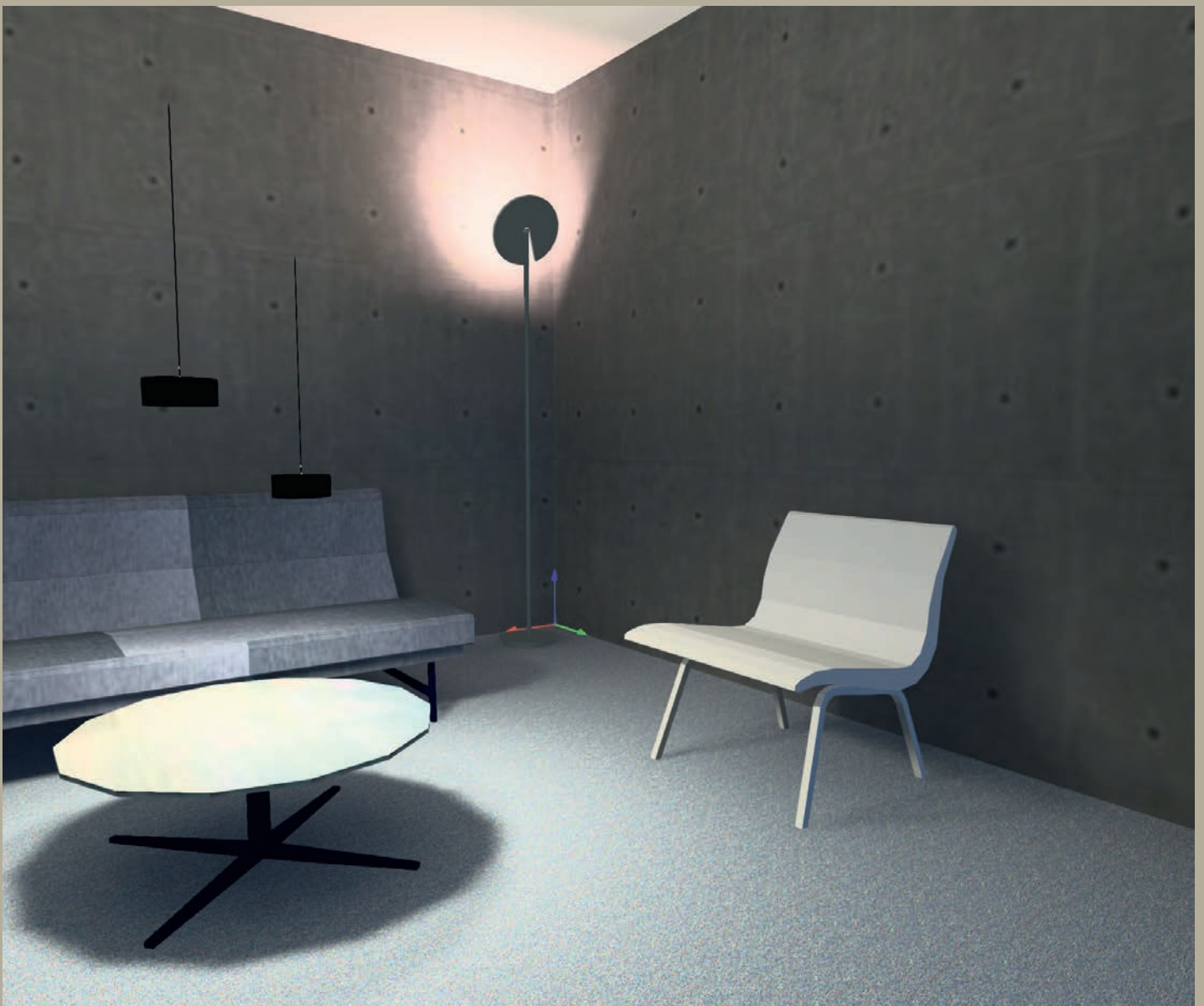
dialux

As a manufacturer of high-quality residential lighting, our goal is not only to illuminate spaces but also to create a unique atmosphere and mood through the skillful use of our lights. While the impact of light in everyday life is often taken for granted, it is frequently underestimated and not fully utilized.

Virtual lighting and space planning can bridge this gap by visualizing the effects of lighting on a room. Therefore, we now offer the option to request our luminaires in various 3D formats and integrate them into your designs.

Additionally, we have joined the DIALux platform as a Silver Member. Many of our lights are directly available in the DIALux Evo planning program. Each of these lights has undergone precise light measurements in certified laboratories. With DIALux, you can now incorporate our lights into your lighting plans and experience the quality firsthand.

We are excited about this new business opportunity.





9940-1-62; 2052-2-62

plissee

Plissee S

Milieu image	8-9
Technical data	10-11

Plissee T1

Milieu image	12-13
Technical data	14-15

Plissee T2

Milieu image	16-17
Technical data	18-19

Plissee W

Technical data	20-21
----------------	-------

Plissee D

Production image	22-23
Technical data	24-25

plissee s



2410-1-55



plissee s

Technical data

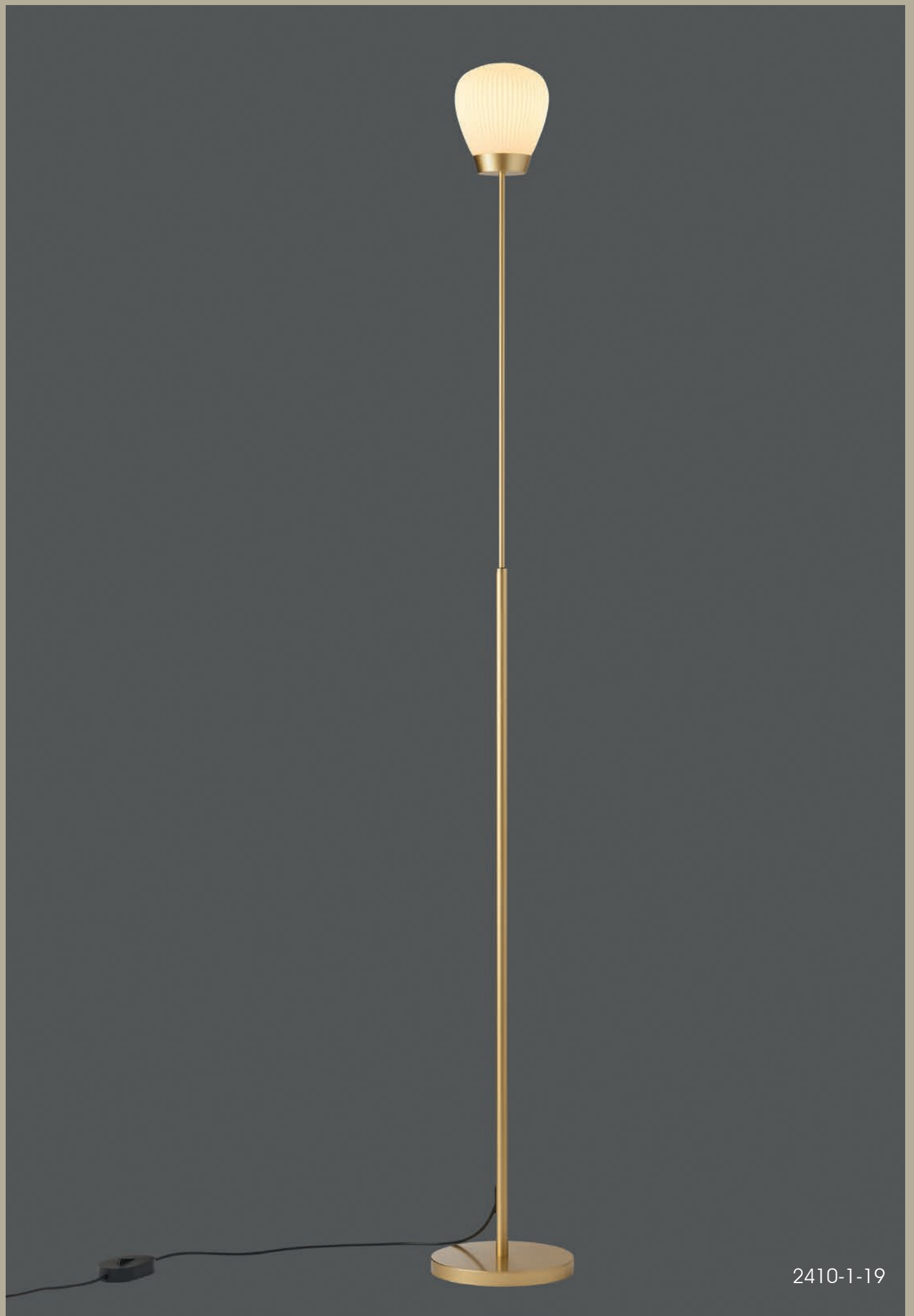
1x E27 max. 11 Watt
only LED bulb
230V

Finish

- | | |
|-------------|-------------------|
| ● 2410-1-19 | Eloxal Brass |
| ● 2410-1-55 | Black |
| ● 2410-1-62 | Platinum |
| ● 2410-1-79 | Brushed Aluminium |

Mouth-blown glass





2410-1-19

plissee t1



2411-1-62



plissee t1

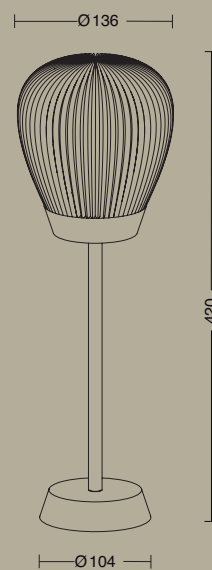
Technical data

1x E27 max. 11 Watt
only LED bulb
230V

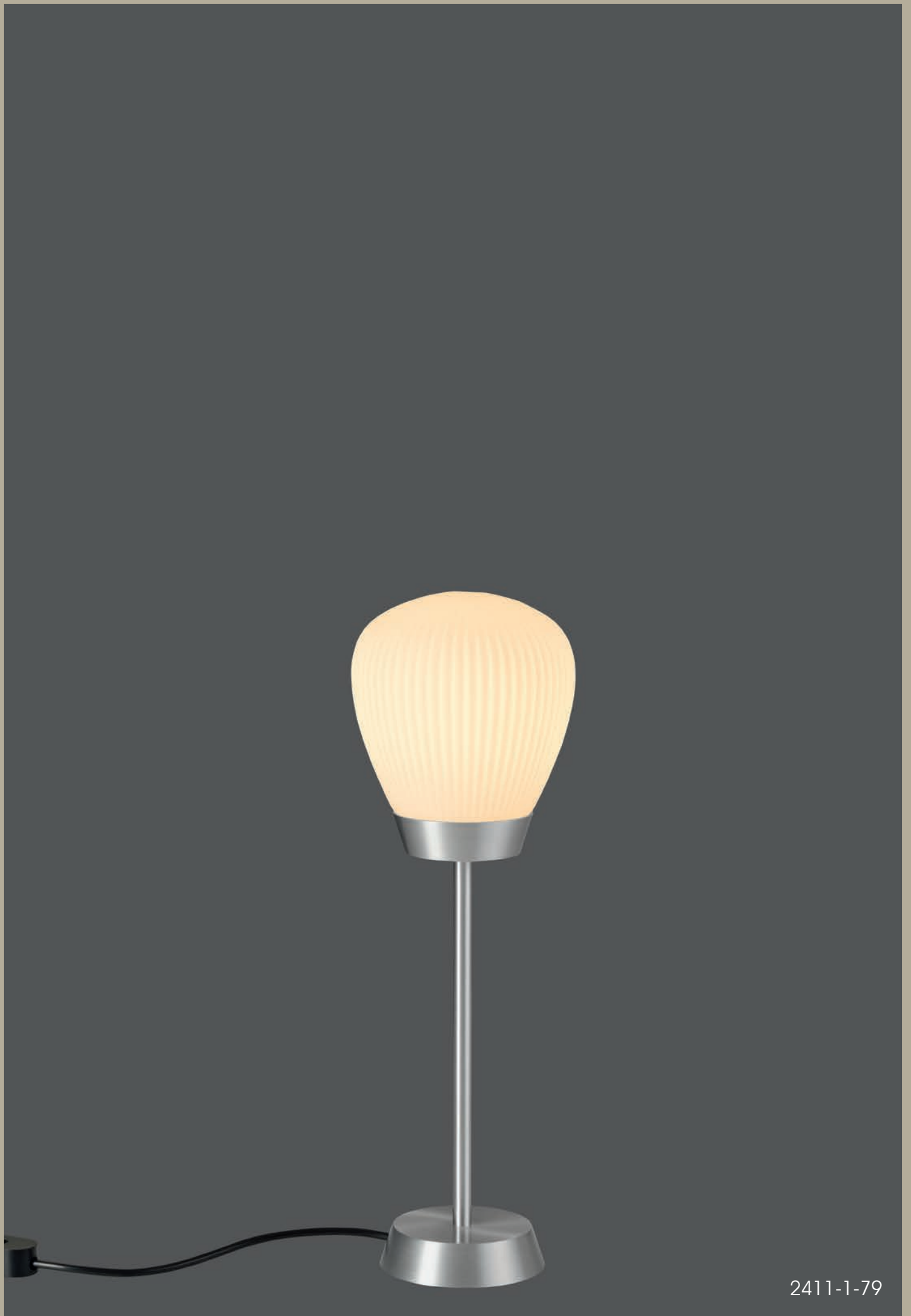
Finish

- | | |
|-------------|-------------------|
| ● 2411-1-19 | Eloxal Brass |
| ● 2411-1-55 | Black |
| ● 2411-1-62 | Platinum |
| ● 2411-1-79 | Brushed Aluminium |

Mouth-blown glass



2411-1-62



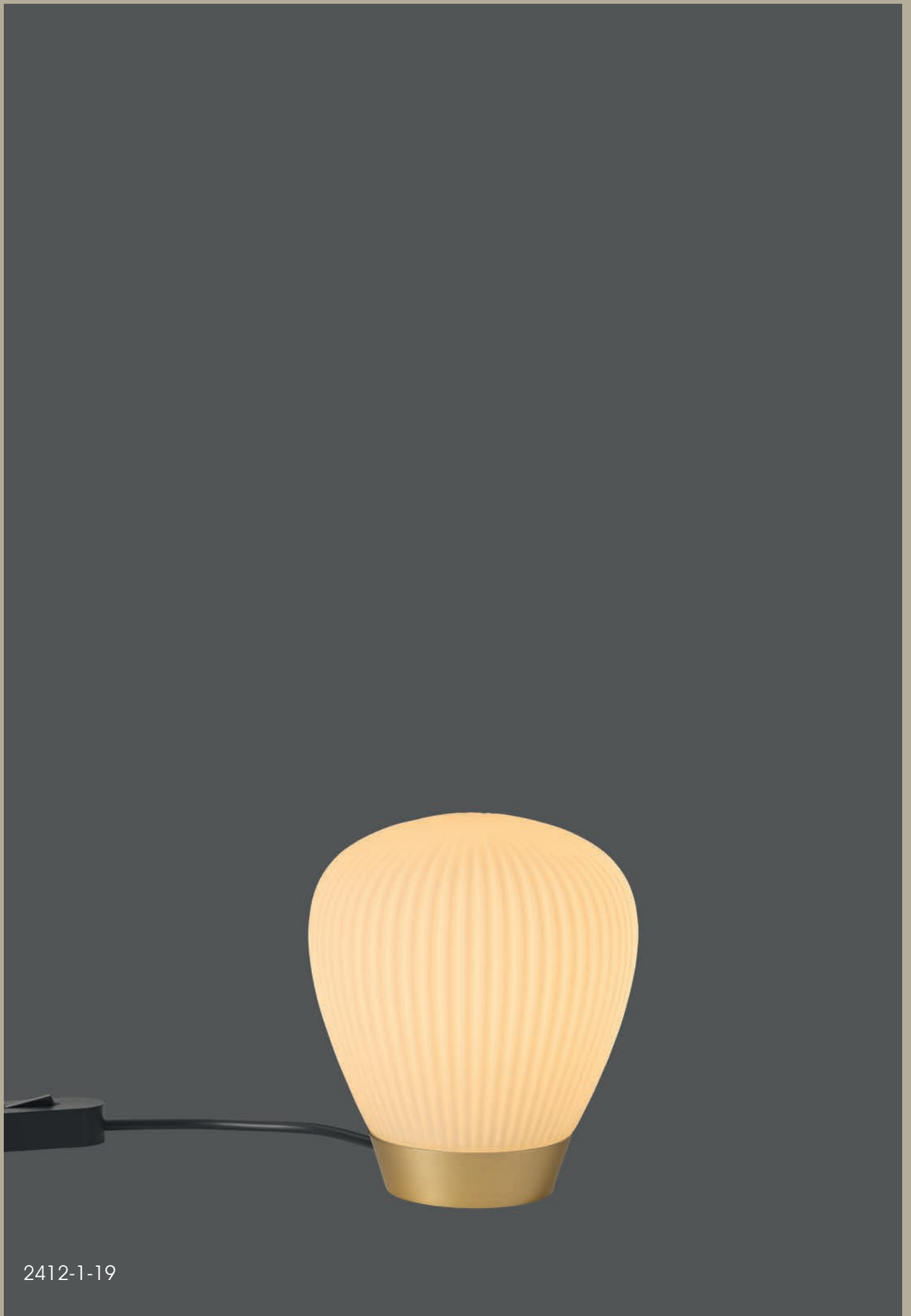
2411-1-79



2413-1-79 + 110550-79; 2412-1-79

plissee t2





2412-1-19

plissee t2

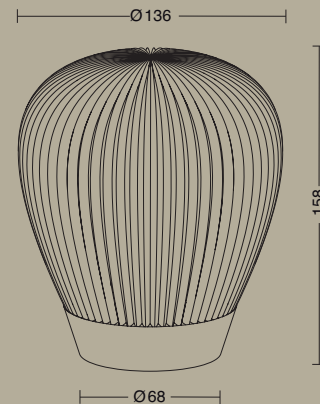
Technical data

1x E27 max. 11 Watt
only LED bulb
230V

Finish

- | | |
|-------------|-------------------|
| ● 2412-1-19 | Eloxal Brass |
| ● 2412-1-55 | Black |
| ● 2412-1-62 | Platinum |
| ● 2412-1-79 | Brushed Aluminium |

Mouth-blown glass



2412-1-79

plissee w

Technical data

1x E27 max. 11 Watt
only LED bulb
230V

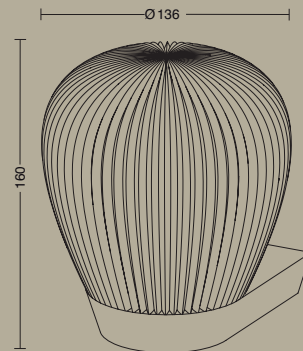
Finish

- 2413-1-19 Eloxal Brass
- 2413-1-55 Black
- 2413-1-62 Platinum
- 2413-1-79 Brushed Aluminium

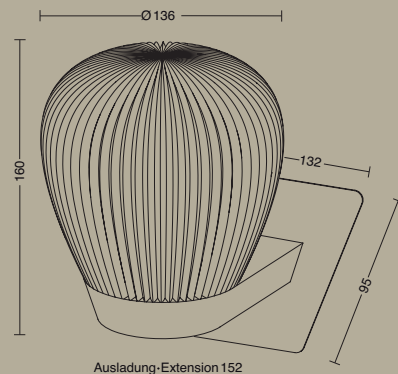
Wall plate

- 110550-19 Eloxal Brass
- 110550-55 Black
- 110550-62 Platinum
- 110550-79 Brushed Aluminium

Mouth-blown glass



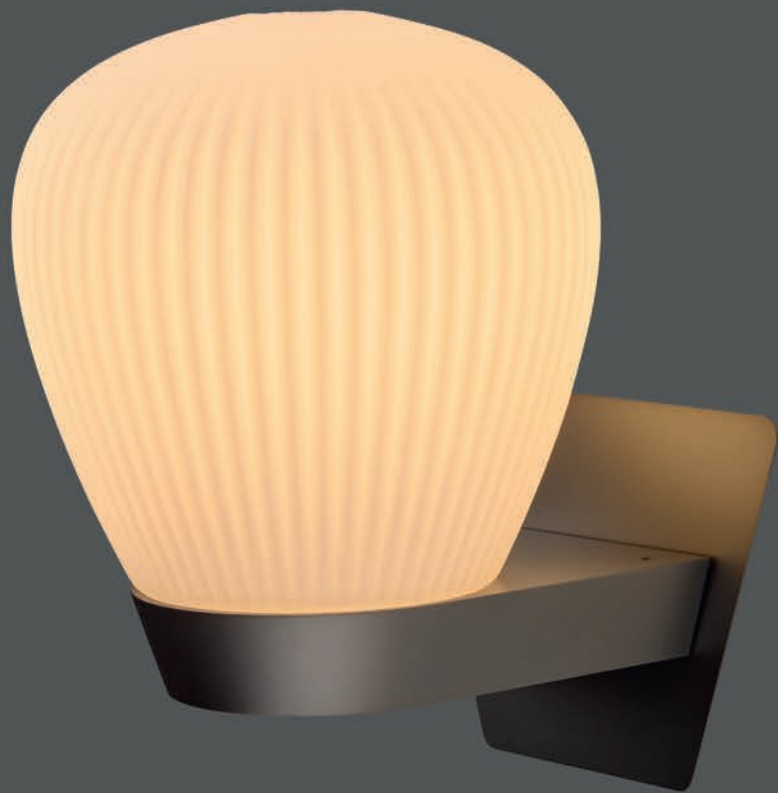
Ausladung·Extension 152



Ausladung·Extension 152



2413-1-79

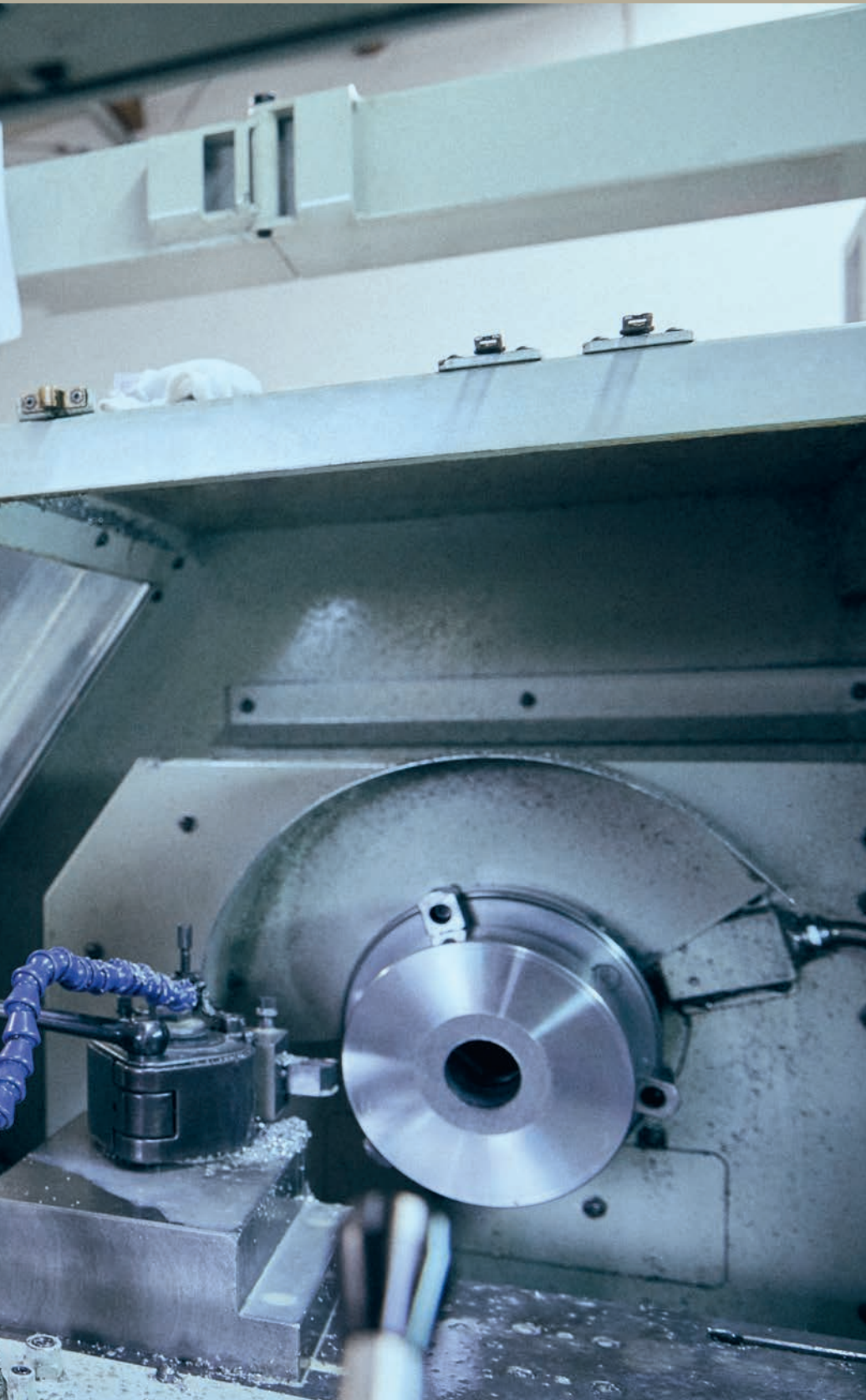


2413-1-62 + 110550-62

plissee d



The **in-house toolmaking department** develops the tools that will later be used in the series production of our lighting fixtures. The image shows a deep-drawing tool being machined for the canopy of the **Plissee ceiling light**.





2414-1-79

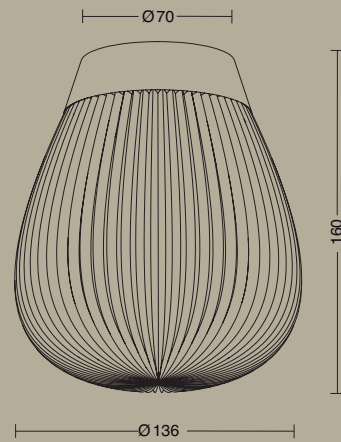
plissee d

Technical data

1x E27 max. 11 Watt
only LED bulb
230V

Finish

- 2414-1-19 Eloxal Brass
- 2414-1-55 Black
- 2414-1-62 Platinum
- 2414-1-79 Brushed Aluminium



Mouth-blown glass



2414-1-62

liv / golyo

Liv

Milieu image

28-29

Technical data

30-31

Golyo

Milieu image

32-33

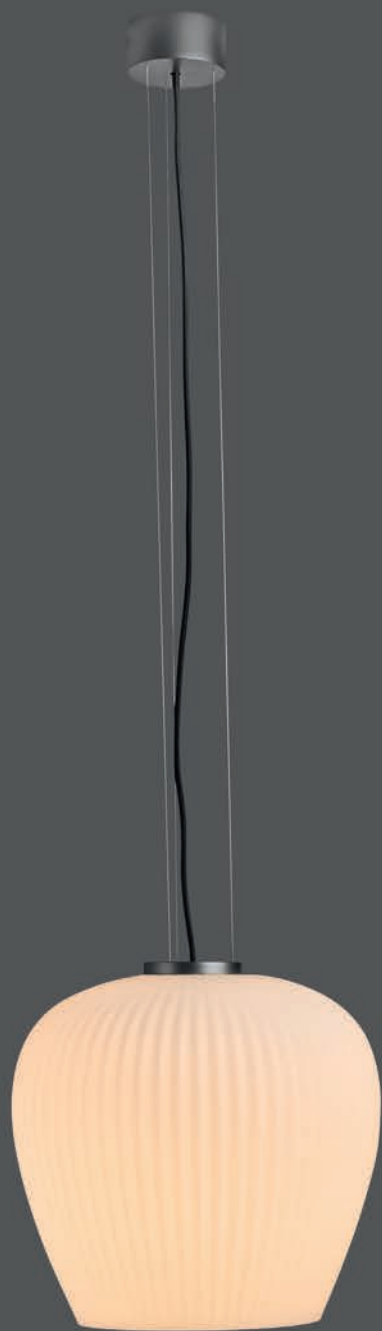
Technical data

34-35



5320-1-62 + GL51-23





5320-1-62 + GL51-23

Technical data

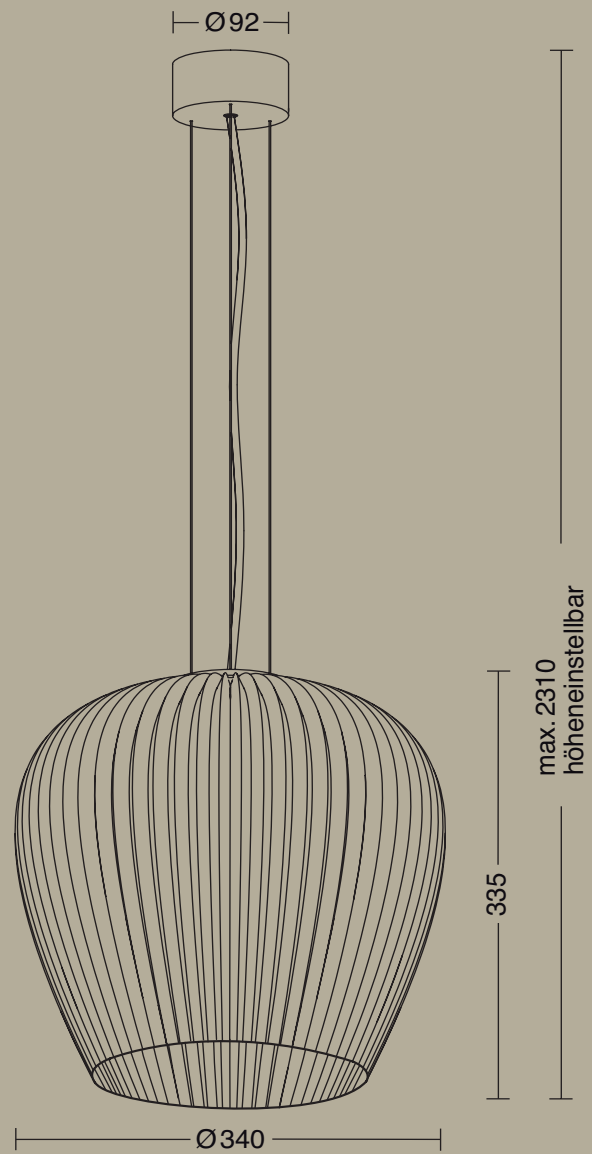
1x E27 max. 23 Watt
 only LED bulb
 230V

Finish

- 5320-1-55 Black
- 5320-1-62 Platinum
- 5320-1-79 Brushed Aluminium

Mouth-blown glass

- GL51-23 Opal matt



golyo



5320-1-62 + GL50-23



golyo

Technical data

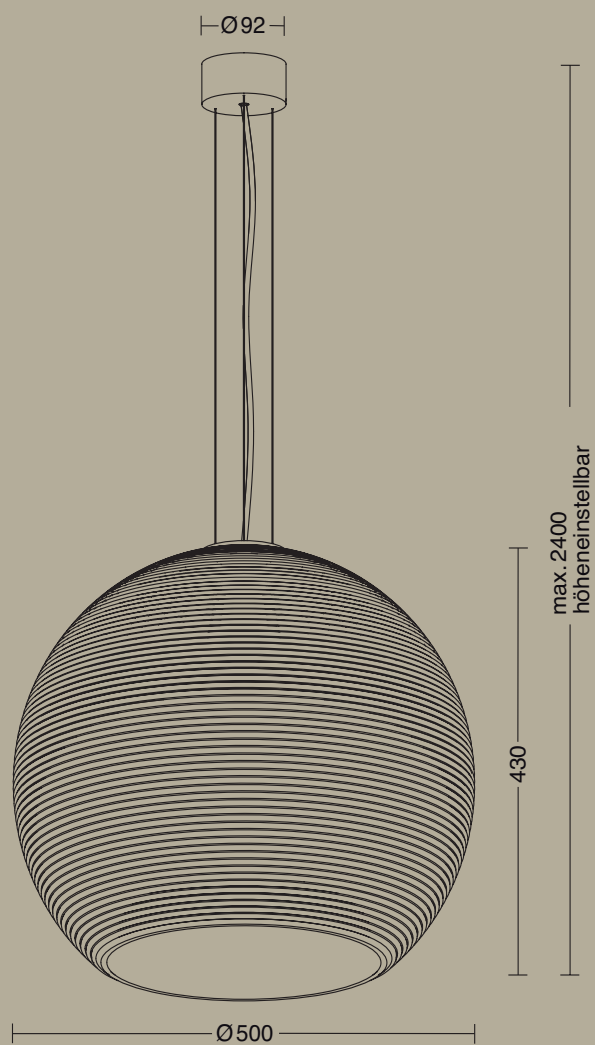
1x E27 max. 23 Watt
only LED bulb
230V

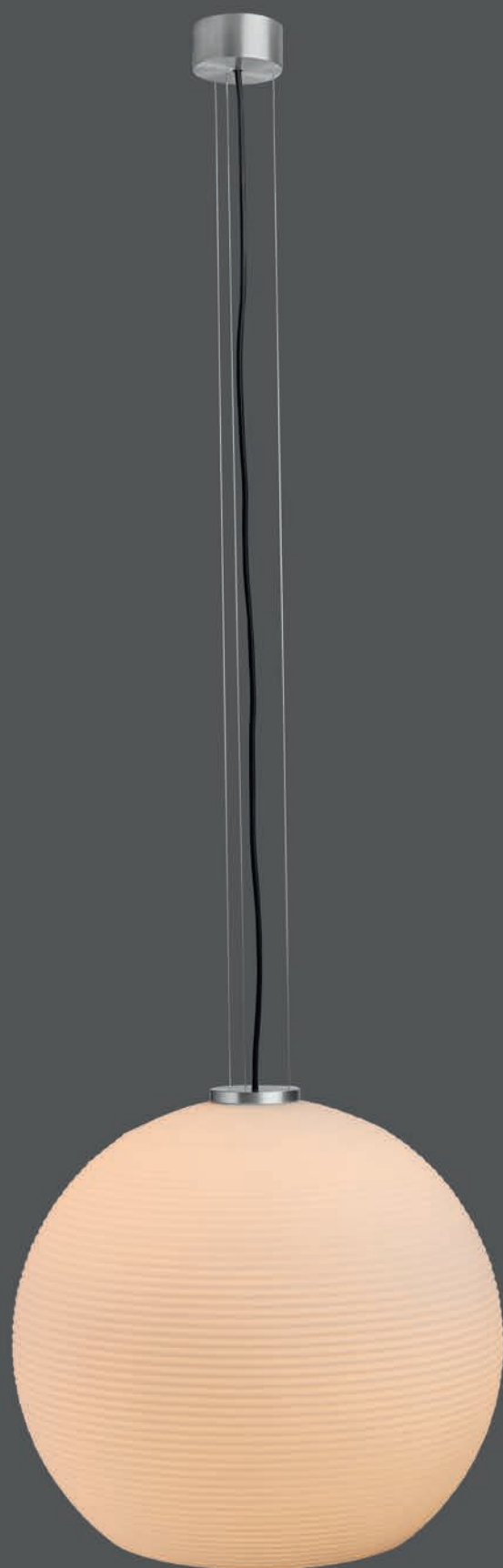
Finish

- 5320-1-55 Black
- 5320-1-62 Platinum
- 5320-1-79 Brushed Aluminium

Mouth-blown glass

- GL50-23 Opal matt





5320-1-79 + GL50-23

fidelio

Milieu image	38-39
Components	40-41
Possible variations	42
Product example	43
Technical data Cristallux	44-45
Technical data Glass	46-47
Technical data Chintz shade	48-49

fidelio

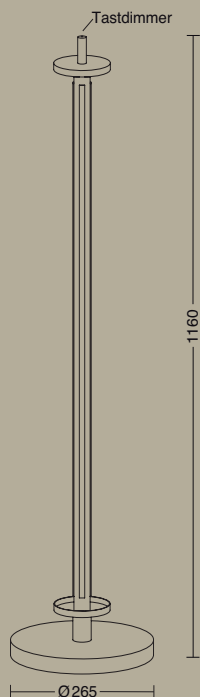


2404-4-55 + GL24-100-23



fidelio

Customise your Fidelio floor lamp by Hotkötter.

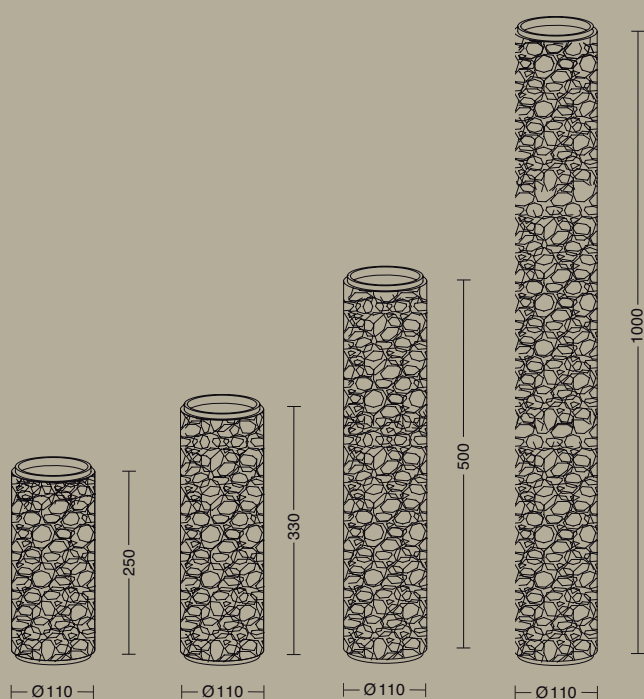


First select one of five light fittings:

Finish

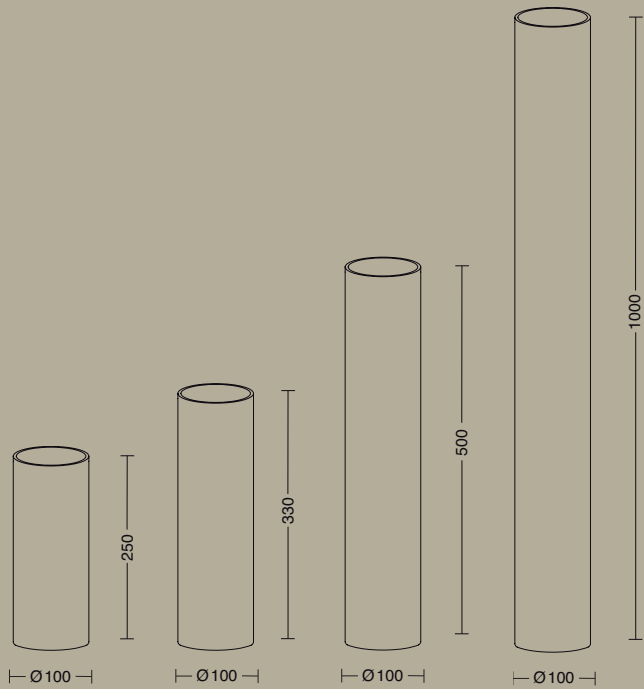
- 2404-4-19 Eloxal Brass
- 2404-4-55 Black
- 2404-4-59 Black / Eloxal Brass
- 2404-4-62 Platinum
- 2404-4-79 Brushed Aluminium

Next, please select the type and size of the fitting. This can consist entirely of Cristallux, glass or chintz, but can also be mixed - for an overview of the possible variants, see page 42



Finish Cristallux

- CR24-25-10 250mm Cristallux
- CR24-33-10 330mm Cristallux
- CR24-50-10 500mm Cristallux
- CR24-100-10 1000mm Cristallux



Finish Glass

●	GL24-25-23	250mm	Opal matt
●	GL24-33-23	330mm	Opal matt
●	GL24-50-23	500mm	Opal matt
●	GL24-100-23	1000mm	Opal matt

Finish Chintz shade

250mm

●	740-25-12	Light grey
●	740-25-4	Champagne
●	740-25-41	Sand
●	740-25-42	Taupe
●	740-25-55	Black
●	740-25-7	White

330mm

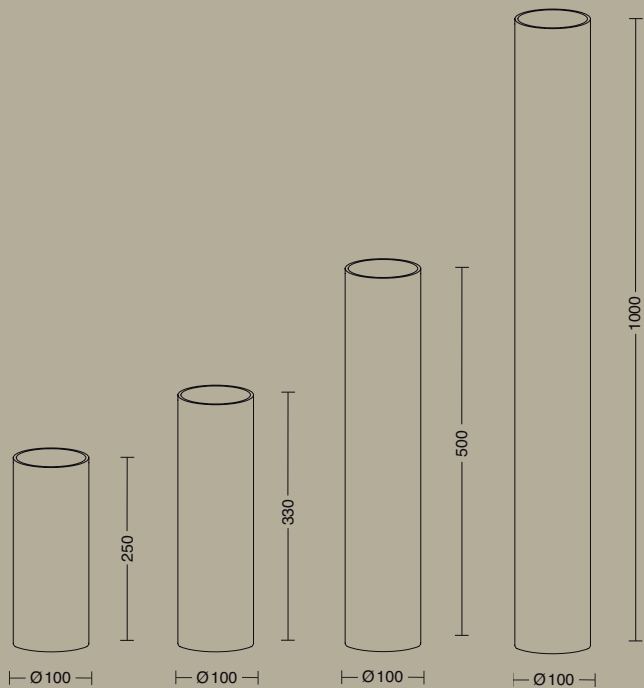
●	740-33-12	Light grey
●	740-33-4	Champagne
●	740-33-41	Sand
●	740-33-42	Taupe
●	740-33-55	Black
●	740-33-7	White

500mm

●	740-50-12	Light grey
●	740-50-4	Champagne
●	740-50-41	Sand
●	740-50-42	Taupe
●	740-50-55	Black
●	740-50-7	White

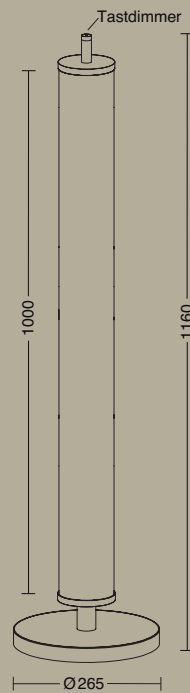
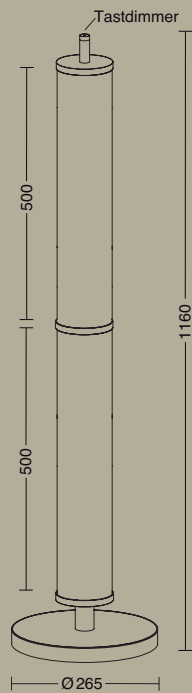
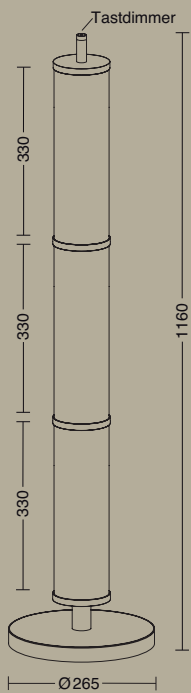
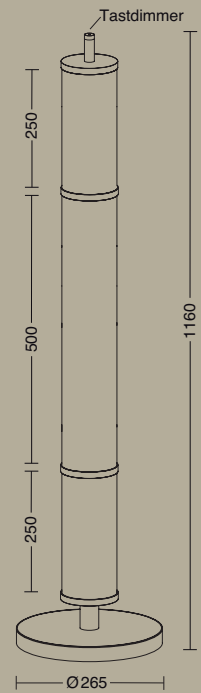
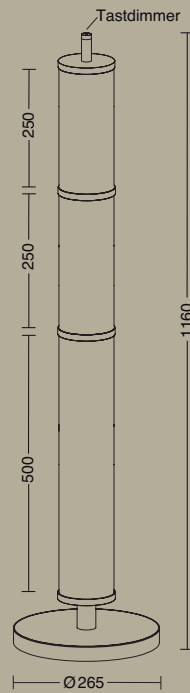
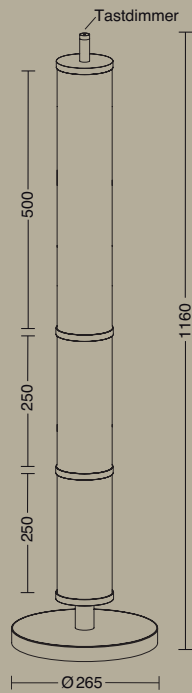
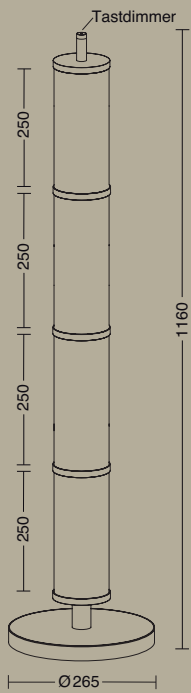
1000mm

●	740-100-12	Light grey
●	740-100-4	Champagne
●	740-100-41	Sand
●	740-100-42	Taupe
●	740-100-55	Black
●	740-100-7	White

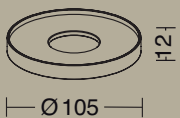
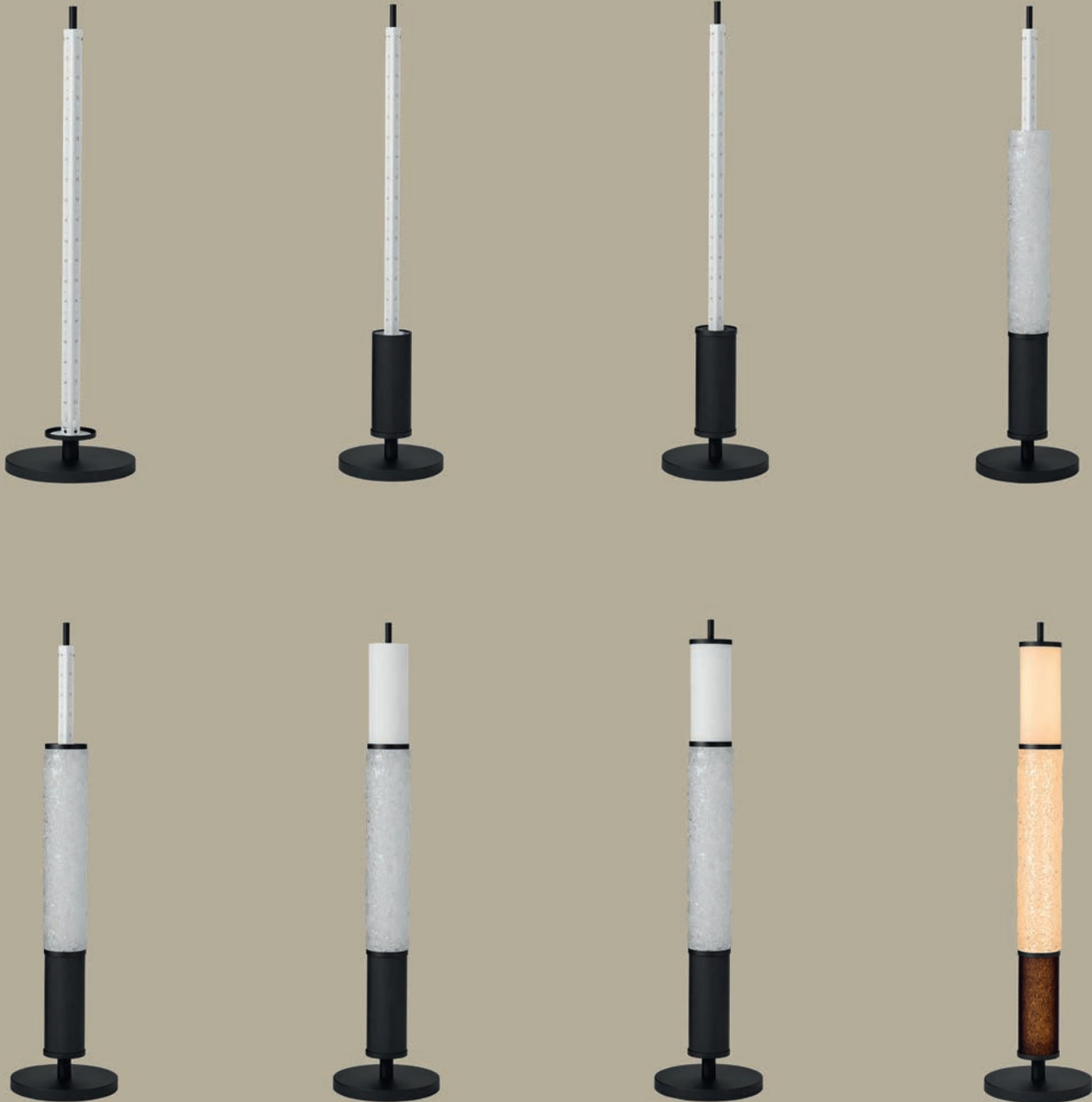


fidelio

Please select the size of the fitting according to your requirements.
The following divisions are possible:



Example: Floor lamp in the finish Black (2404-4-55) + Shade 250mm in Black (740-25-55) + Crystallux 500mm (CR24-50-10) + Glass 250mm (GL24-25-23)

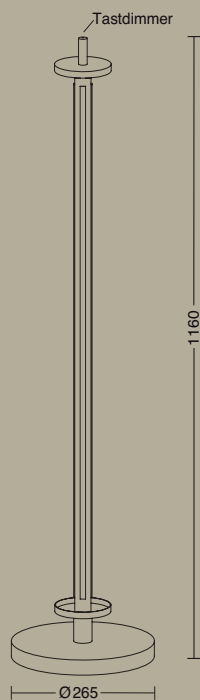


Depending on the layout of the fittings, the rings are supplied in the selected surface.

fidelio cristallux

Customise your FIDELIO floor lamp by Holtkötter.

Cristallux is available in four heights. The luminaire is either made entirely of Cristallux or combined with glass and/or shade.



Technical data

4x LED
 27W - NV-LED
 1800 Lumen
 2700 Kelvin
 CRI > 90
 Dimmer

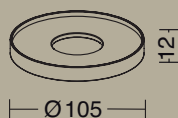
Finish

● 2404-4-19	Eloxal Brass
● 2404-4-55	Black
● 2404-4-59	Black / Eloxal Brass
● 2404-4-62	Platinum
● 2404-4-79	Brushed Aluminium



Finish

● CR24-25-10	250mm	Cristallux
● CR24-33-10	330mm	Cristallux
● CR24-50-10	500mm	Cristallux
● CR24-100-10	1000mm	Cristallux



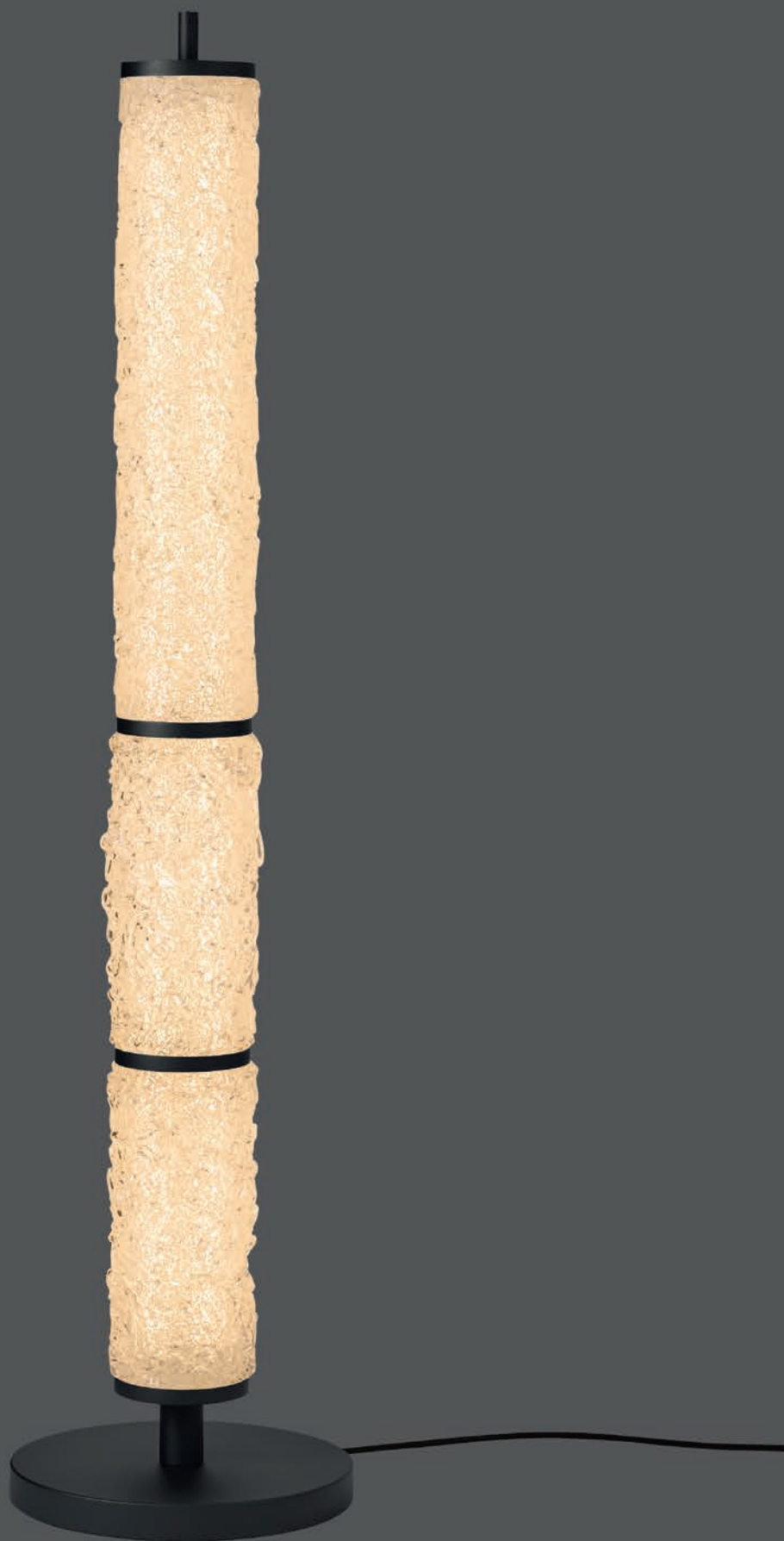
Depending on the layout of the fittings, the rings are supplied in the selected surface.

CR24-50-10 500mm

CR24-25-10 250mm

CR24-25-10 250mm

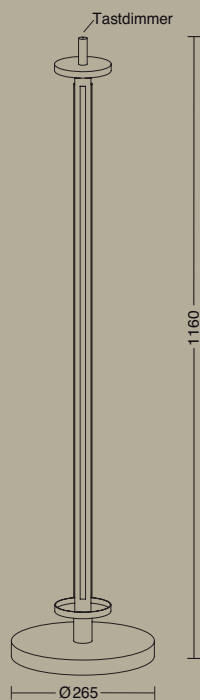
2404-4-55 Black



fidelio Glass

Customise your FIDELIO floor lamp by Holtkötter.

The glass is available in four heights. The luminaire is either made entirely of glass or combined with Cristallux and/or shade.

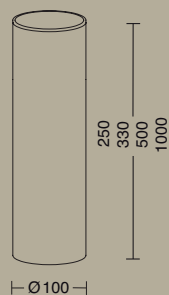


Technical data

4x LED
 27W - NV-LED
 1800 Lumen
 2700 Kelvin
 CRI > 90
 Dimmer

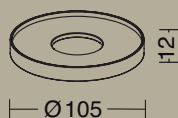
Finish

- 2404-4-19 Eloxal Brass
- 2404-4-55 Black
- 2404-4-59 Black / Eloxal Brass
- 2404-4-62 Platinum
- 2404-4-79 Brushed Aluminium



Finish

- GL24-25-23 250mm Opal matt
- GL24-33-23 300mm Opal matt
- GL24-50-23 500mm Opal matt
- GL24-100-23 1000mm Opal matt



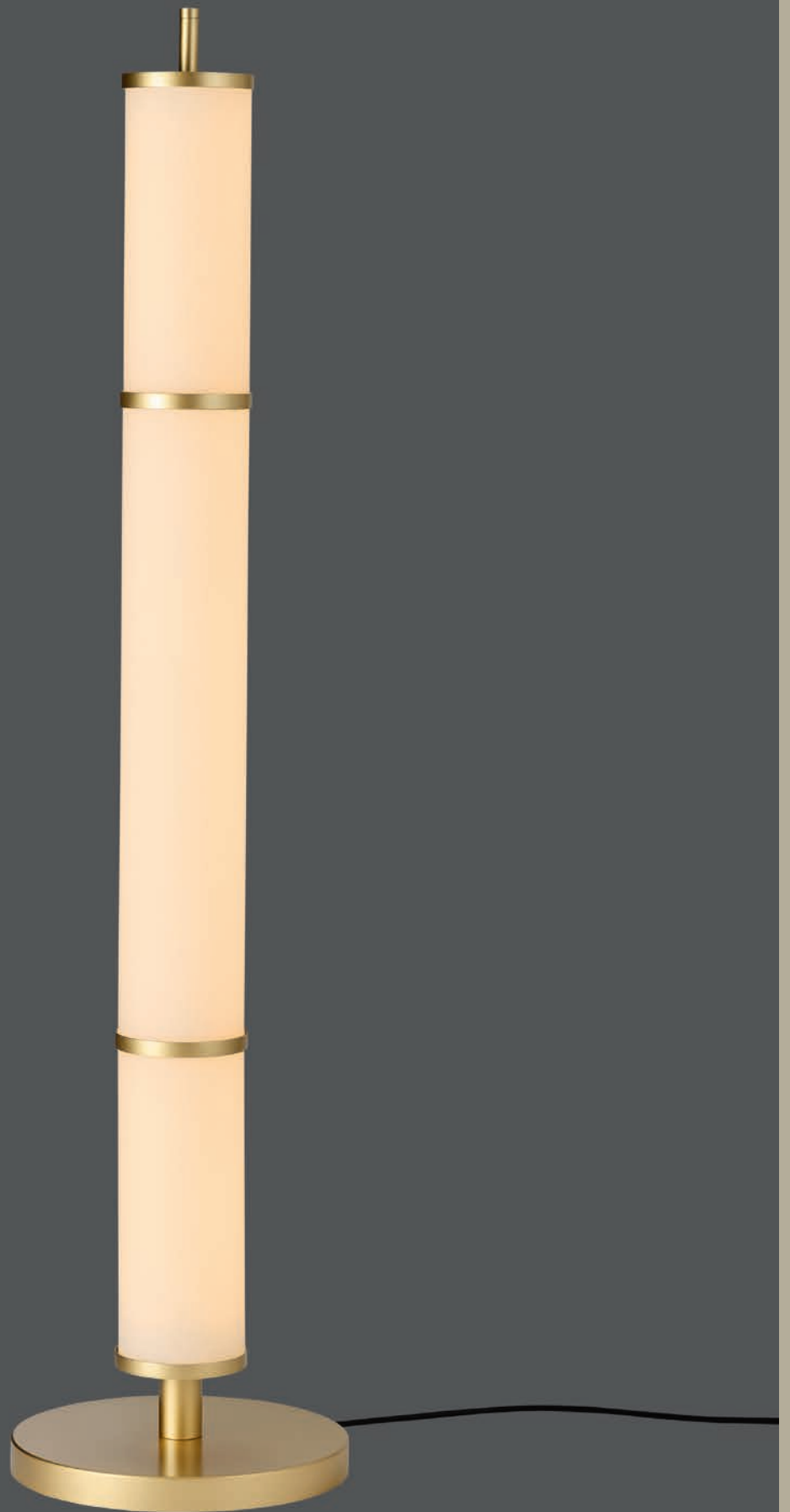
Depending on the layout of the fittings, the rings are supplied in the selected surface.

GL24-25-23 250mm

GL24-50-23 500mm

GL24-25-23 250mm

2404-4-19
Eloxal Brass



fidelio Shade

Customise your FIDELIO floor lamp by Holtkötter.

The shade is available in four heights. The luminaire is either made entirely of shade or combined with Cristallux and/or glass.

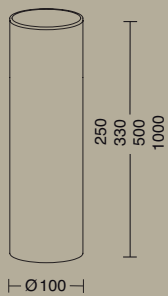


Technical data

4x LED
27W - NV-LED
1800 Lumen
2700 Kelvin
CRI > 90
Dimmer

Finish

● 2404-4-19	Eloxal Brass
● 2404-4-55	Black
● 2404-4-59	Black / Eloxal Brass
● 2404-4-62	Platinum
● 2404-4-79	Brushed Aluminium



Finish Chintz shades 250mm

● 740-25-12	Light grey
● 740-25-4	Champagne
● 740-25-41	Sand
● 740-25-42	Taupe
● 740-25-55	Black
● 740-25-7	White

Finish Chintzh shades 330mm

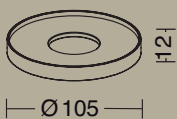
● 740-33-12	Light grey
● 740-33-4	Champagne
● 740-33-41	Sand
● 740-33-42	Taupe
● 740-33-55	Black
● 740-33-7	White

Finish Chintz shades 500 mm

● 740-50-12	Light grey
● 740-50-4	Champagne
● 740-50-41	Sand
● 740-50-42	Taupe
● 740-50-55	Black
● 740-50-7	White

Finish Chintz shades 1000mm

● 740-100-12	Light grey
● 740-100-4	Champagne
● 740-100-41	Sand
● 740-100-42	Taupe
● 740-100-55	Black
● 740-100-7	White



Depending on the layout of the fittings, the rings are supplied in the selected surface.

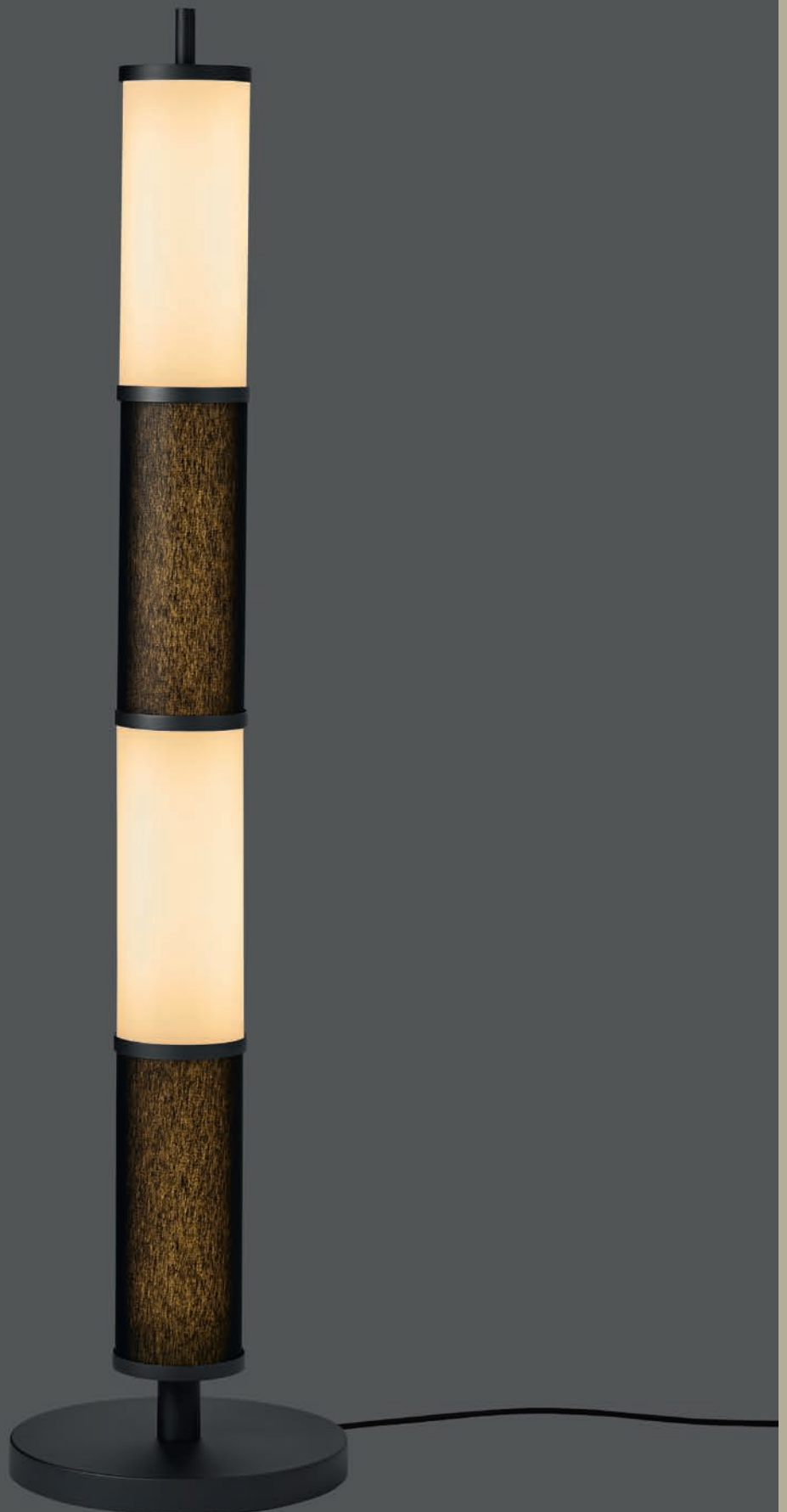
740-25-4 250mm

740-25-55 250mm

740-25-4 250mm

740-25-55 250mm

2404-4-55 Black



favor

Favor S

Milieu image

52-53

Technical data

54-55

Favor 1-light

Technical data

56-57

Favor 2-light

Technical data

58-59

Favor 3-light

Technical data

60-61

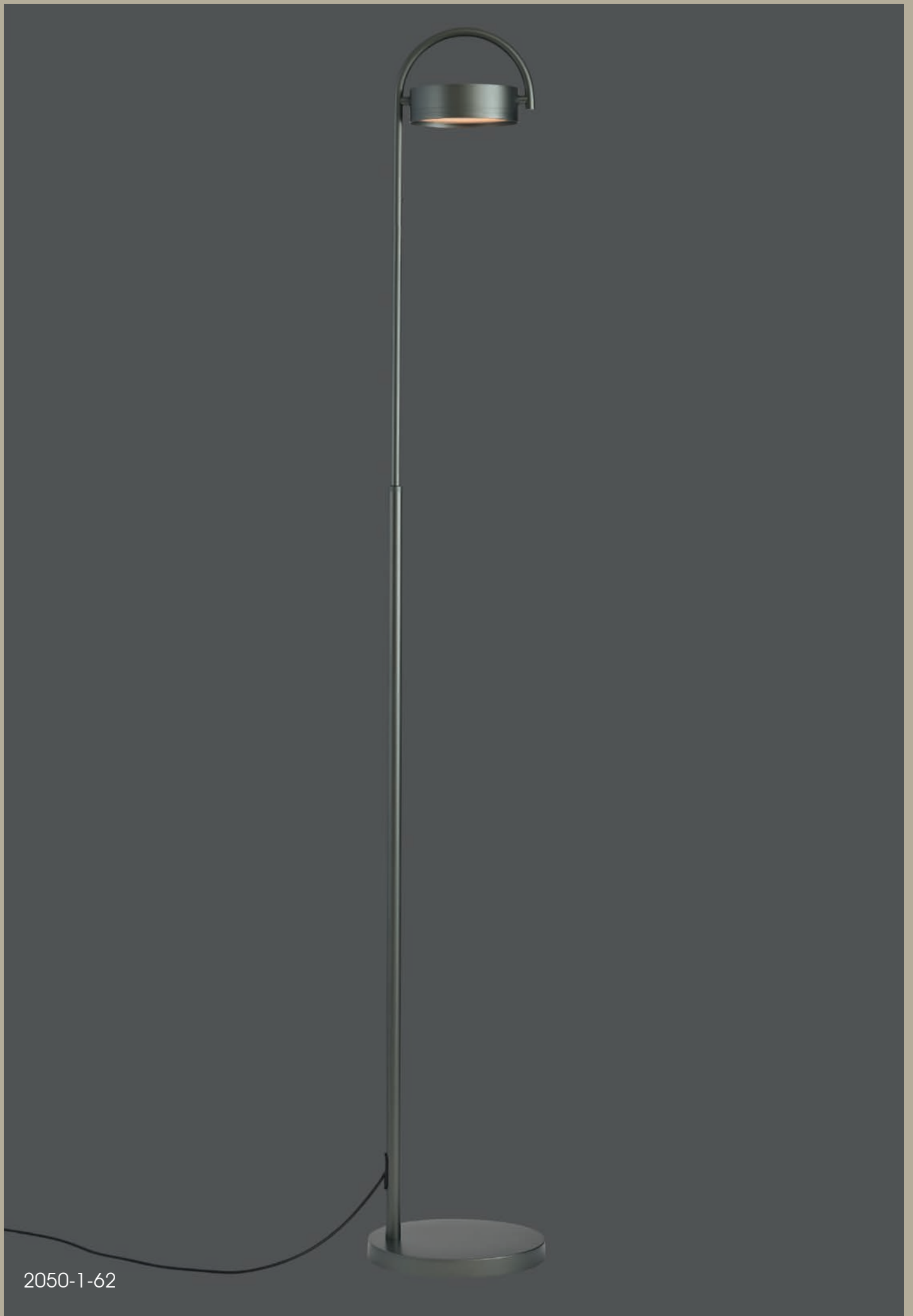
favor s



2050-1-59







2050-1-62

favor s

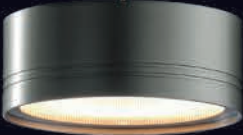
Technical data

1x LED
10W - NV-LED
1400 Lumen
2200 - 2850 Kelvin - DIM TO WARM
CRI >90
Dimmer

Finish

- 2050-1-55 Black
- 2050-1-59 Black / Eloxal Brass
- 2050-1-62 Platinum
- 2050-1-79 Brushed Aluminium





2051-1-62

favor

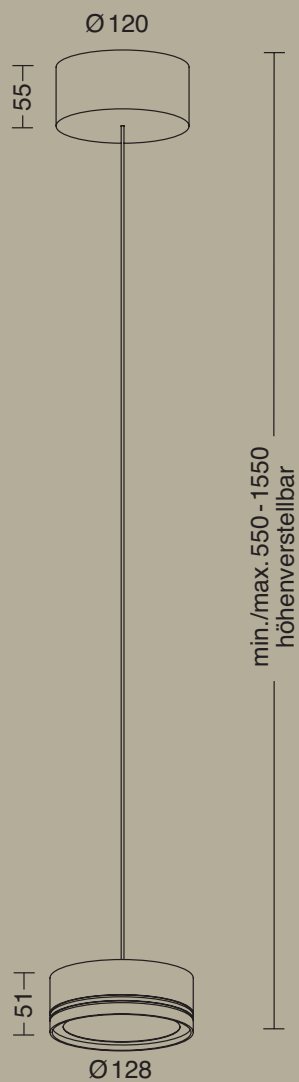
Technical data

1x LED
19W - NV-LED
2750 Lumen
2200 - 2850 Kelvin - DIM TO WARM
CRI >90
Dimmable

Finish

- 2051-1-55 Black
- 2051-1-62 Platinum
- 2051-1-79 Brushed Aluminium

Special cable lengths are available on request as customised products at an extra charge.



favor

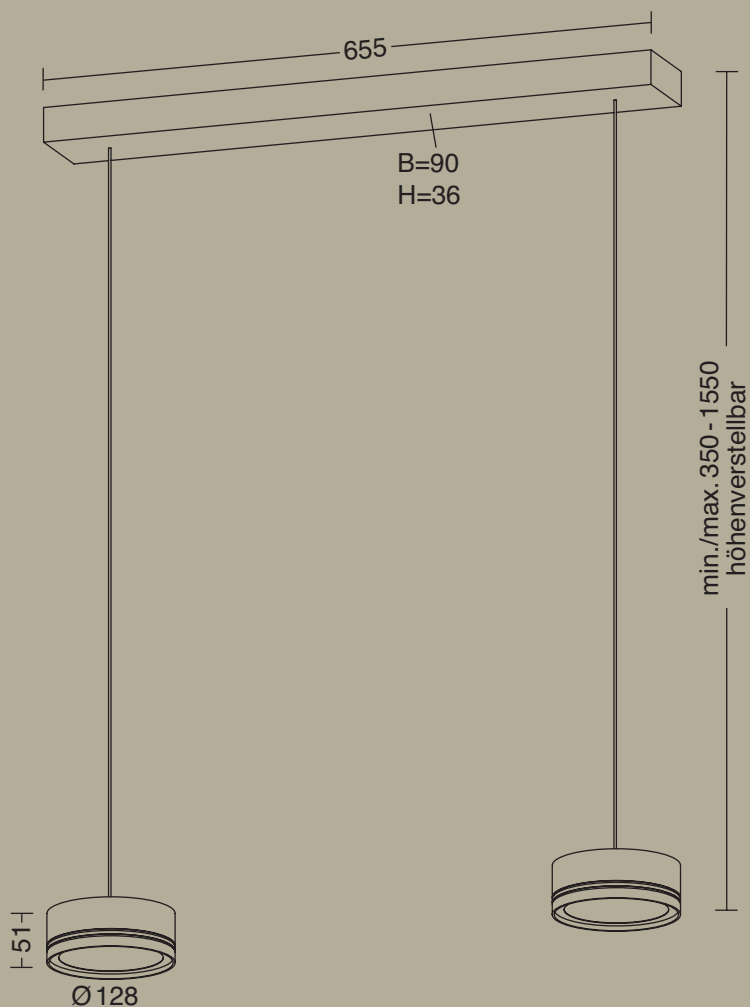
Technical data

2x LED
2x 19W - NV-LED
5500 Lumen
2200 - 2850 Kelvin - DIM TO WARM
CRI >90
Dimmable

Finish

- 2052-2-55 Black
- 2052-2-62 Platinum
- 2052-2-79 Brushed Aluminium

Special cable lengths are available on request as customised products at an extra charge.





2052-2-62

favor

Technical data

3x LED

3x 19W - NV-LED

8250 Lumen

2200 - 2850 Kelvin - DIM TO WARM

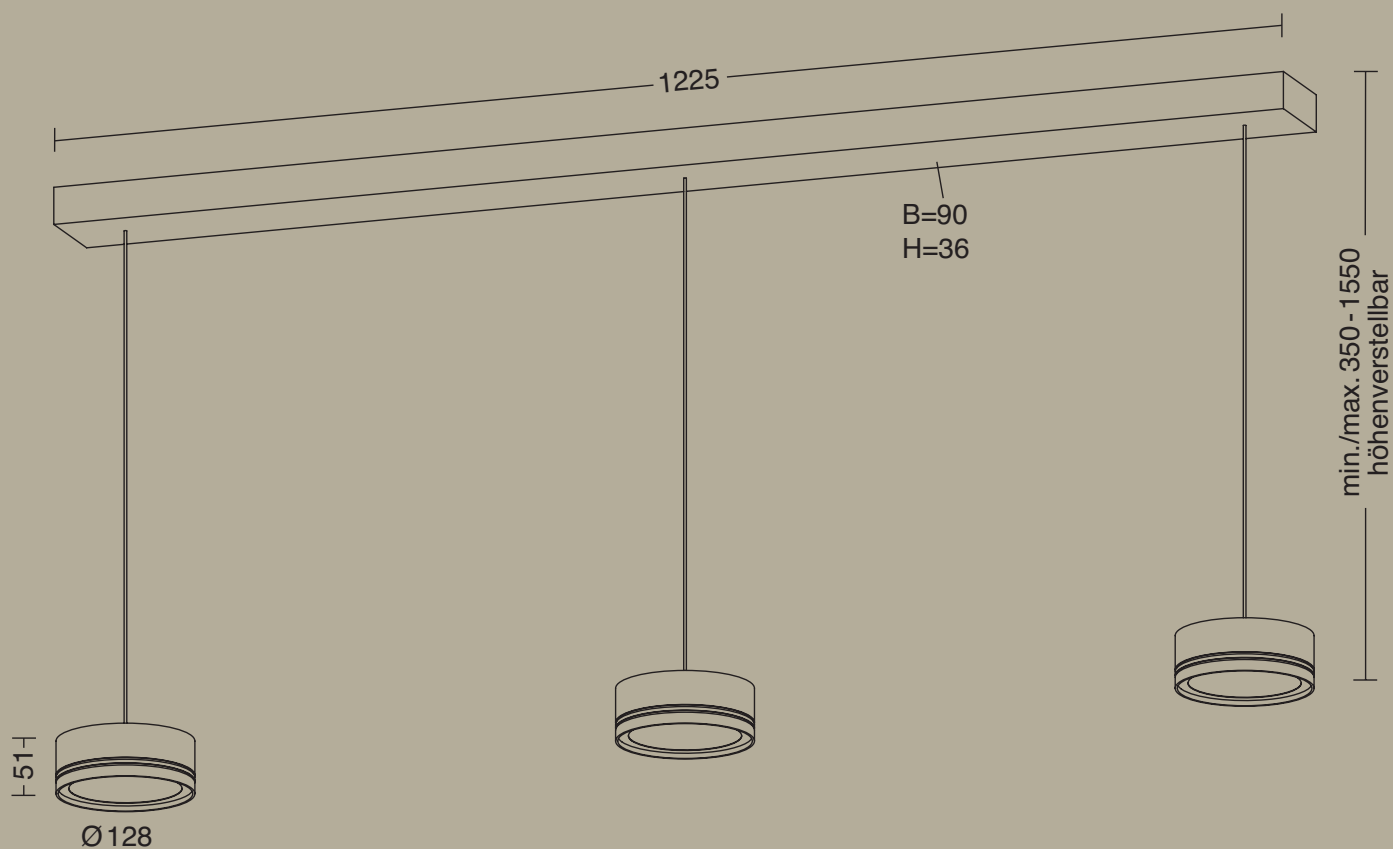
CRI > 90

Dimmable

Finish

- 2053-3-55 Black
- 2053-3-62 Platinum
- 2053-3-79 Brushed Aluminium

Special cable lengths are available on request as customised products at an extra charge.





2053-3-79

naxos

Milieu image 64-65

Production image 66-67

Technical data 68-69

naxos



9940-1-59



naxos

Spot Welding: In the image, three bolts are welded onto the **Naxos reflector**. This allows for secure screwing of the LED boards and ensures their easy replacement.



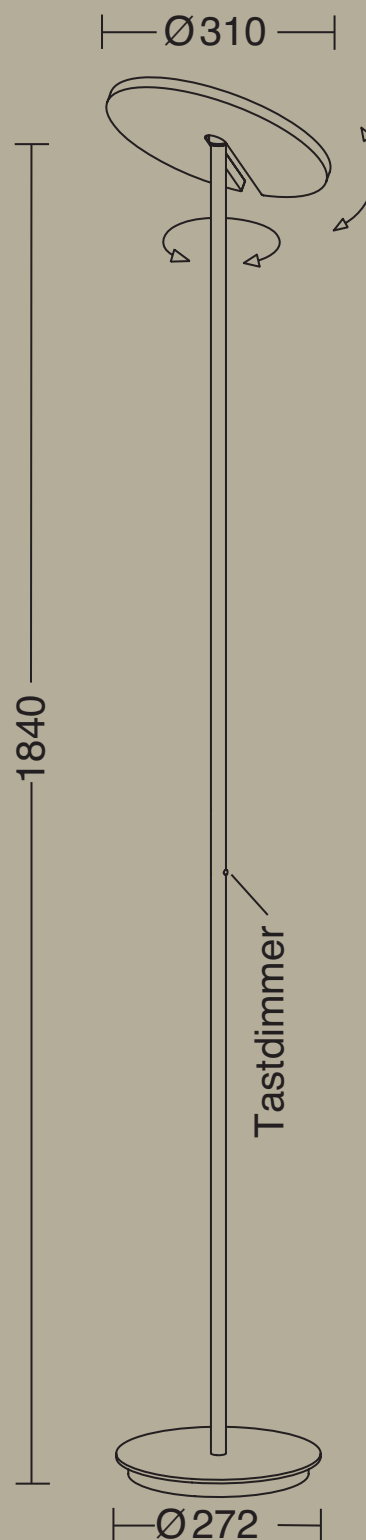
naxos

Technical data

1x LED
71W - NV-LED
8800 Lumen
2200 - 2850 Kelvin - DIM TO WARM
CRI > 90
Dimmer

Finish

● 9940-1-19	Eloxal Brass
● 9940-1-33	Bronze
● 9940-1-55	Black
● 9940-1-59	Black / Eloxal Brass
● 9940-1-62	Platinum
● 9940-1-79	Brushed Aluminium
● 9940-1-8	White





9940-1-33

janus

Janus H

Milieu image

72-73

Technical data

74-75

Janus E

Technical data

76

Janus K

Technical data

77

janus h



2183-2-79



janus h

Technical data

2x LED

2x 18W - NV-LED

5400 Lumen

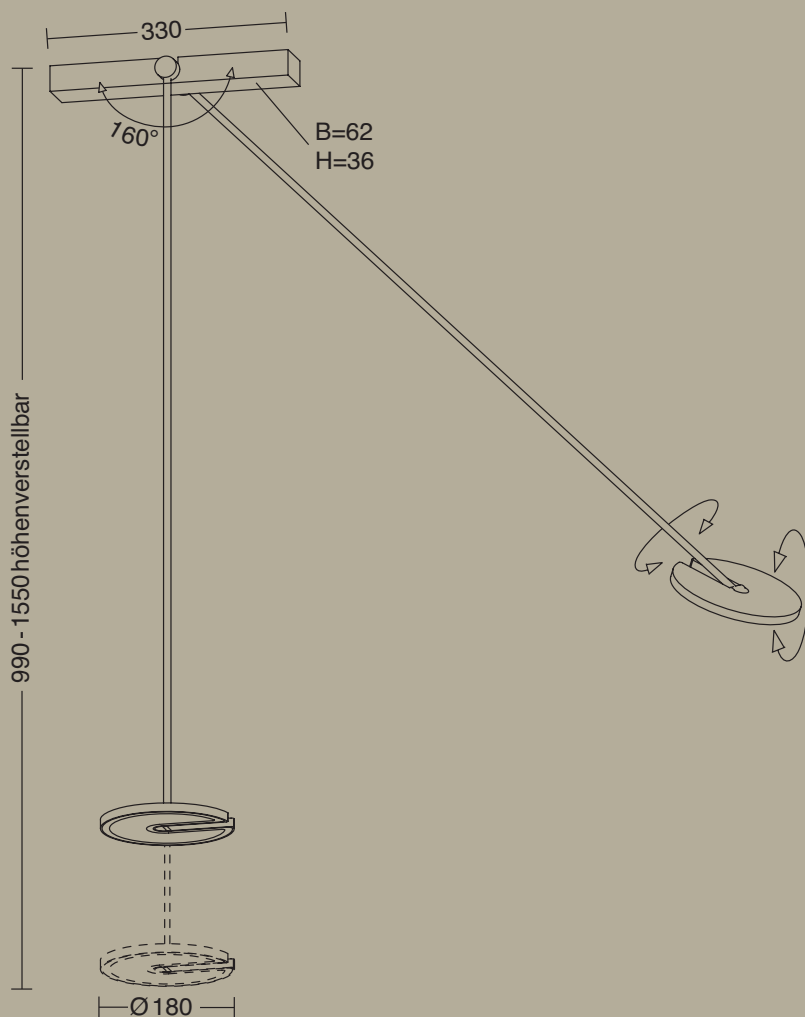
2200 - 2850 Kelvin - DIM TO WARM

CRI >90

Dimmer

Finish

- 2183-2-55 Black
- 2183-2-59 Black / Eloxal Brass
- 2183-2-79 Brushed Aluminium





2183-2-55

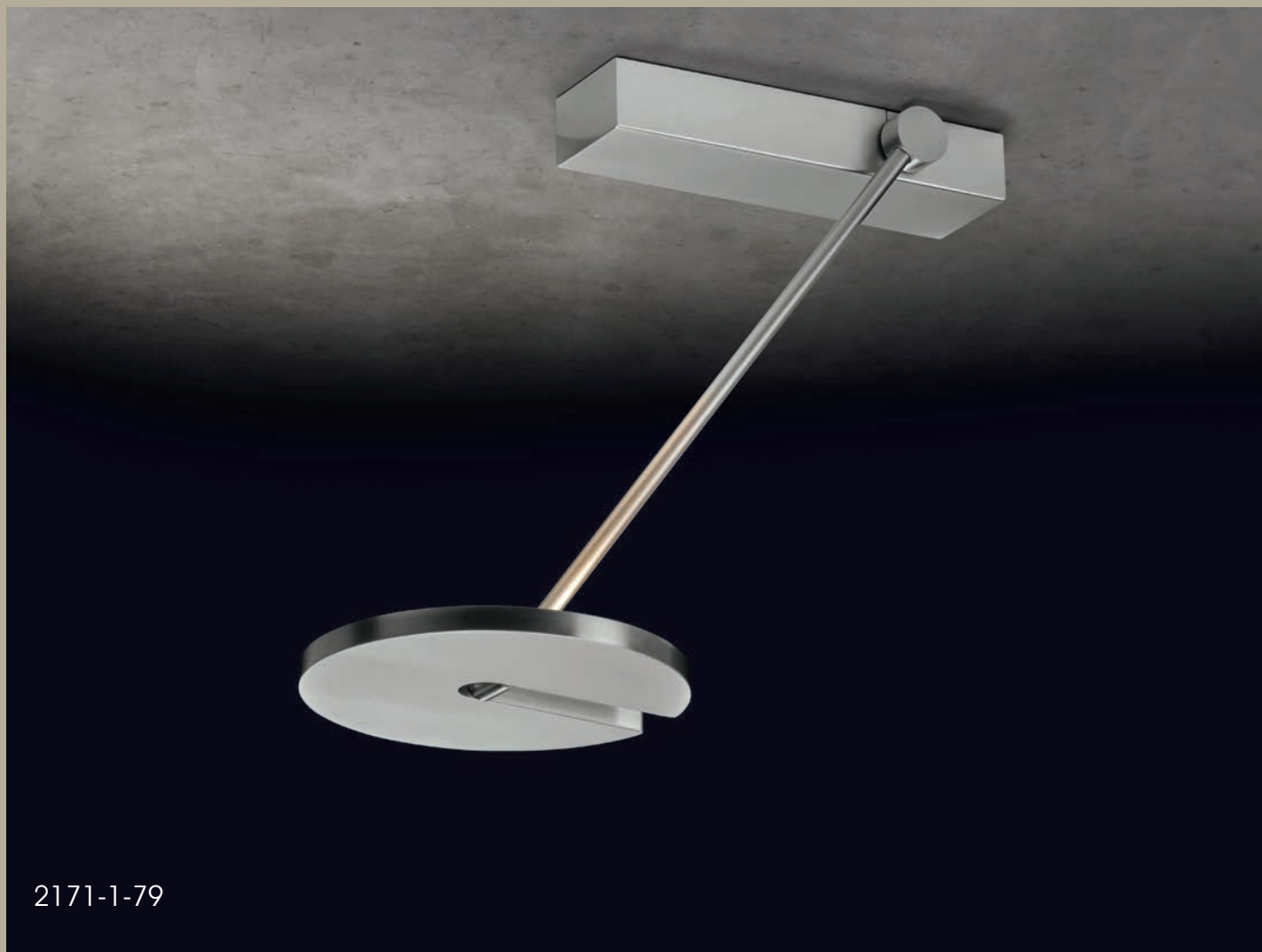
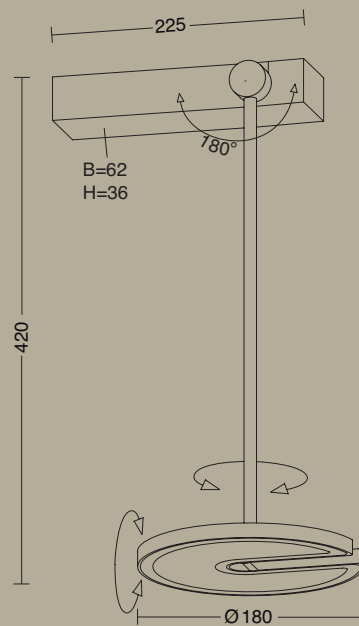
janus e

Technical data

1x LED
18W - NV-LED
2700 Lumen
2200 - 2850 Kelvin - DIM TO WARM
CRI > 90
Dimmer

Finish

- 2171-1-55 Black
- 2171-1-59 Black / Eloxal Brass
- 2171-1-79 Brushed Aluminium



2171-1-79

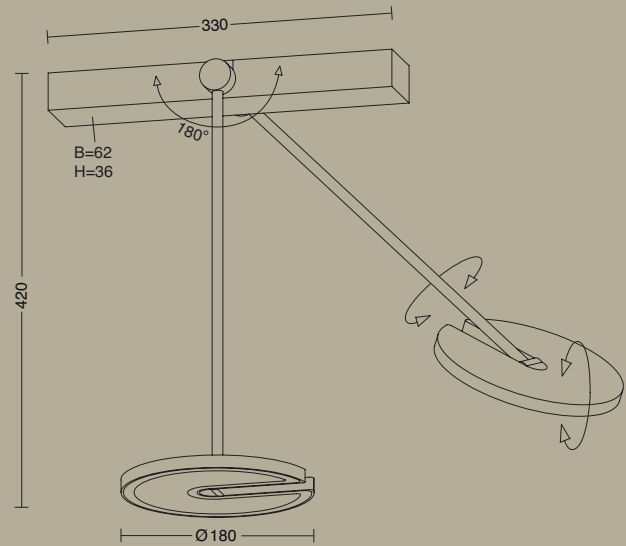
janus k

Technical data

2x LED
2x 18W - NV-LED
5400 Lumen
2200 - 2850 Kelvin - DIM TO WARM
CRI >90
Dimmer

Finish

- 2173-2-55 Black
- 2173-2-59 Black / Eloxal Brass
- 2173-2-79 Brushed Aluminium



2173-2-59

supernova

SuperNova D/DW + P/PW

Milieu image SuperNova D/DW / P/PW	80-81
Milieu image SuperNova DW	82-83
Technical data SuperNova D/DW	84-85
Milieu image SuperNova P/PW	86-87
Technical data SuperNova P/PW	88-89

SuperNova S/DTW

Milieu image	90-91
Production image	92-93
Technical data	94-95

Vince S

Technical data	96-97
----------------	-------

SuperNova GT / T

Technical data SuperNova GT	98-99
Technical data SuperNova T	100-101

SuperNova W/WD

Technical data SuperNova W	102-103
Technical data SuperNova WD	102-103

SuperNova DL / Orbit

Technical data SuperNova DL	104
Technical data Orbit	105

supernova dw / pw





2130-2-79 / 2131-2-79; 2120-2-79 / 2121-2-79

supernova d/dw





2130-2-62 / 2131-2-62

supernova d/dw

SuperNova D

Technical data Inner ring

1x LED
60W - NV-LED
7350 Lumen
2700 - 3100 Kelvin - DIM TO WARM
CRI 98
Dimmer

SuperNova D

Technical data Outer ring

1x LED
38W - NV-LED
4650 Lumen
2700 - 3100 Kelvin - DIM TO WARM
CRI 98
Dimmer

Finish

● 2130-2-19	Eloxal Brass
● 2130-2-55	Black
● 2130-2-62	Platinum
● 2130-2-79	Brushed Aluminium

SuperNova DW

Technical data Inner ring

1x LED
71W - NV-LED
8800 Lumen
2200 - 2900 Kelvin - DIM TO WARM
CRI >90
Dimmer

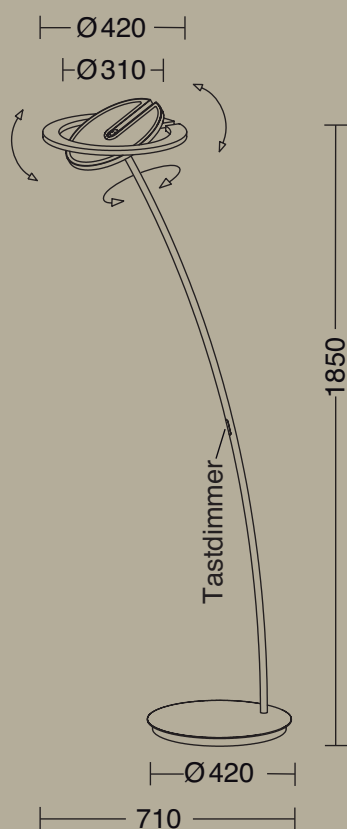
SuperNova DW

Technical data Outer ring

1x LED
40W - NV-LED
5900 Lumen
2200 - 2900 Kelvin - DIM TO WARM
CRI >90
Dimmer

Finish

● 2131-2-19	Eloxal Brass
● 2131-2-55	Black
● 2131-2-62	Platinum
● 2131-2-79	Brushed Aluminium





2130-2-55 / 2131-2-55

supernova p/pw



2120-2-62 / 2121-2-62



supernova p/pw

SuperNova P

Technical data Inner ring

1x LED
33W - NV-LED
3350 Lumen
2700 - 3100 Kelvin - DIM TO WARM
CRI 98
Dimmer

SuperNova P

Technical data Outer ring

1x LED
31W - NV-LED
3900 Lumen
2700 - 3100 Kelvin - DIM TO WARM
CRI 98
Dimmer

Finish

● 2120-2-19	Eloxal Brass
● 2120-2-55	Black
● 2120-2-62	Platinum
● 2120-2-79	Brushed Aluminium

SuperNova PW

Technical data Inner ring

1x LED
31W - NV-LED
4250 Lumen
2200 - 2900 Kelvin - DIM TO WARM
CRI >90
Dimmer

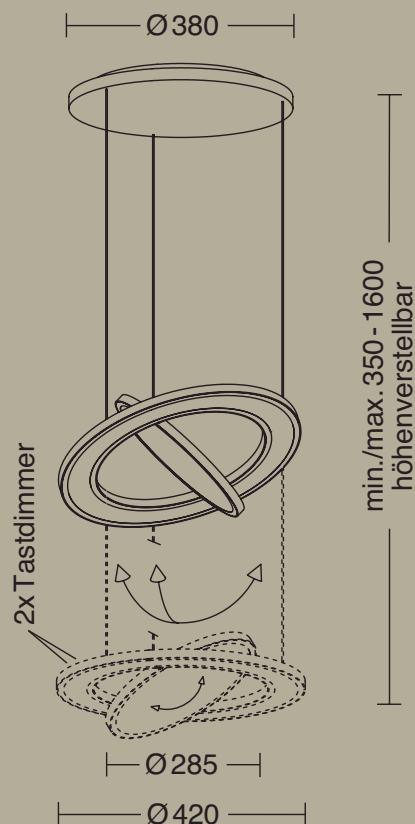
SuperNova PW

Technical data Outer ring

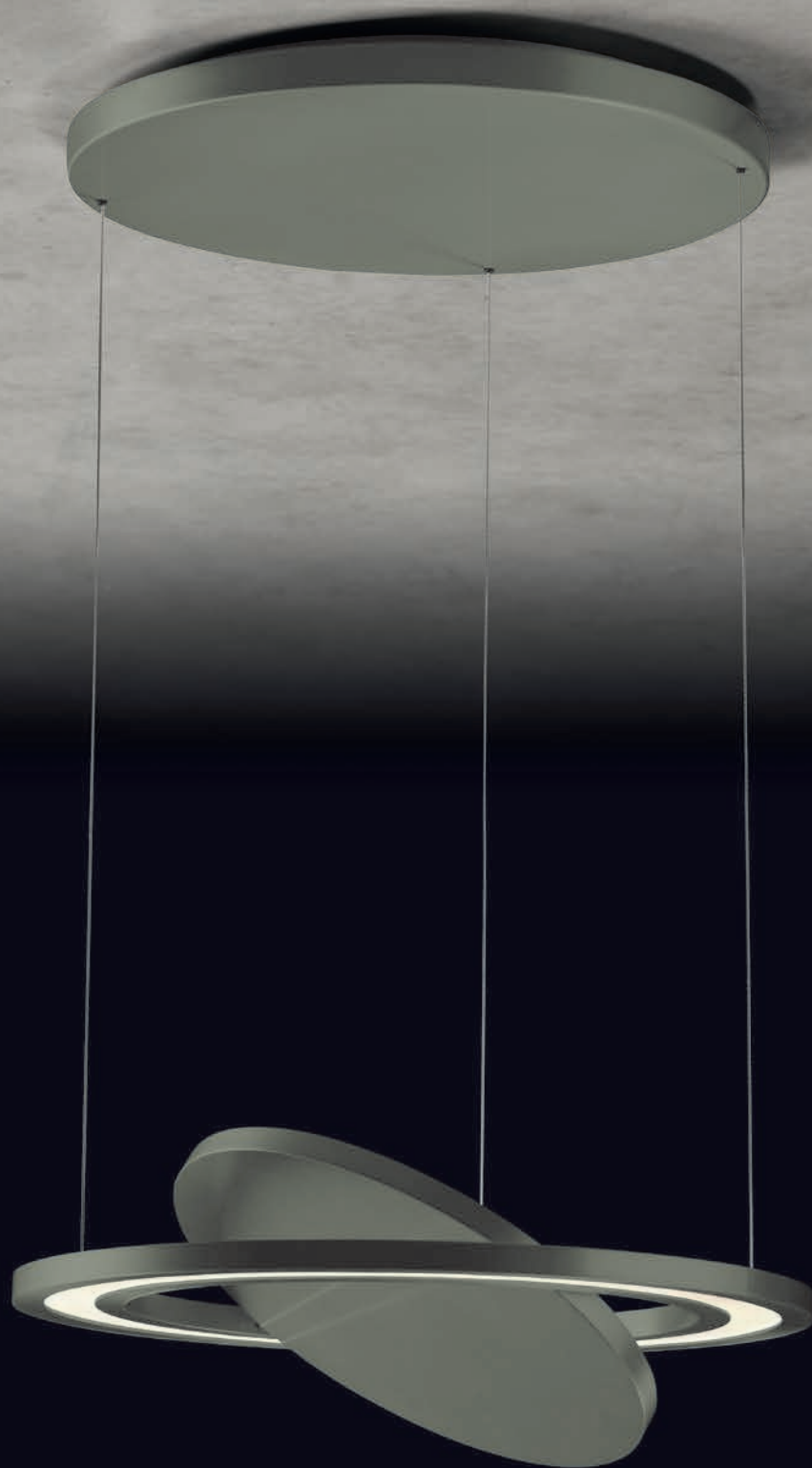
1x LED
29W - NV-LED
4500 Lumen
2200 - 2900 Kelvin - DIM TO WARM
CRI >90
Dimmer

Finish

● 2121-2-19	Eloxal Brass
● 2121-2-55	Black
● 2121-2-62	Platinum
● 2121-2-79	Brushed Aluminium



Special cable lengths are available on request as customised products at an extra charge.



2120-2-62 / 2121-2-62



Precise Cutting with Waterjet Technology: Using our waterjet cutter, we cut lamp reflectors from an aluminum sheet. The waterjet, mixed with abrasive particles, cuts the material precisely and cleanly under high pressure. This process results in elegant **reflectors** that meet our high-quality standards.

supernova s / dtw



Each individual luminaire is tested for functionality and **electrical safety** before packaging.

supernova s / dtw



2145-1-33 / 2155-1-33





2145-1-59 / 2155-1-59; 2145-1-33 / 2155-1-33

supernova s / dtw

SuperNova S

Technical data

1x LED
18W - NV-LED
2600 Lumen
2700 Kelvin
CRI >90
Dimmer

Finish

● 2145-1-19	Eloxal Brass
● 2145-1-33	Bronze
● 2145-1-55	Black
● 2145-1-59	Black / Eloxal Brass
● 2145-1-62	Platinum
● 2145-1-79	Brushed Aluminium
● 2145-1-8	White

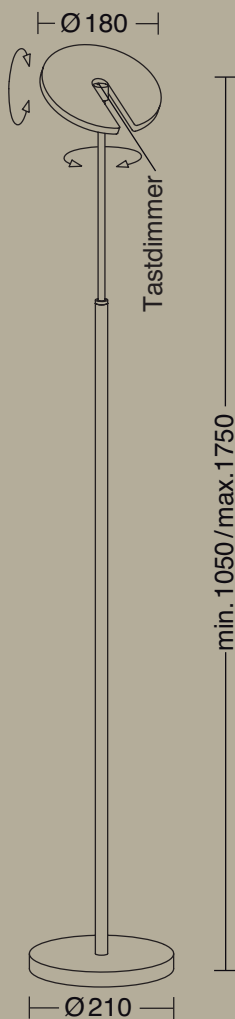
SuperNova S DTW

Technical data

1x LED
16W - NV-LED
2500 Lumen
2200 - 2850 Kelvin - DIM TO WARM
CRI >90
Dimmer

Finish

● 2155-1-19	Eloxal Brass
● 2155-1-33	Bronze
● 2155-1-55	Black
● 2155-1-59	Black / Eloxal Brass
● 2155-1-62	Platinum
● 2155-1-79	Brushed Aluminium
● 2155-1-8	White





2040-1-33

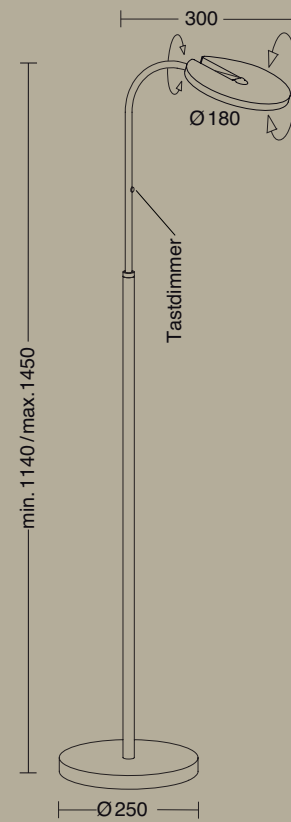
vince s

Technical data

1x LED
16W - NV-LED
2500 Lumen
2200 - 2850 Kelvin - DIM TO WARM
CRI >90
Dimmer

Finish

- | | |
|-------------|----------------------|
| ● 2040-1-33 | Bronze |
| ● 2040-1-55 | Black |
| ● 2040-1-59 | Black / Eloxal Brass |
| ● 2040-1-62 | Platinum |
| ● 2040-1-79 | Brushed Aluminium |
| ● 2040-1-8 | White |



2040-1-79; 2040-1-59; 2040-1-55; 2040-1-8





2190-1-8

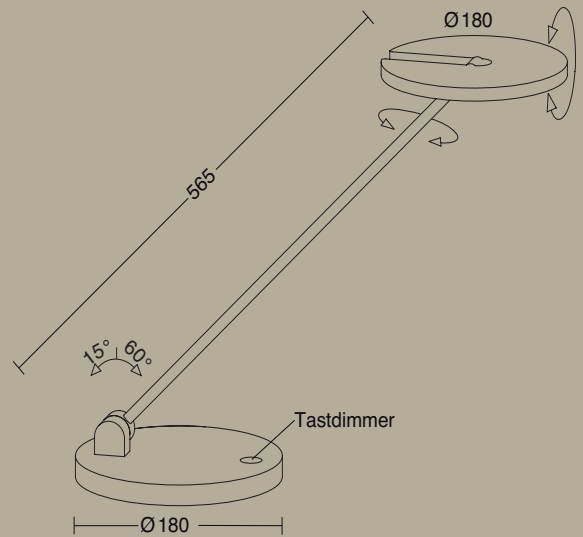
supernova gt

Technical data

1x LED
16W - NV-LED
2500 Lumen
2200 - 2850 Kelvin - DIM TO WARM
CRI >90
Dimmer

Finish

- | | |
|-------------|----------------------|
| ● 2190-1-55 | Black |
| ● 2190-1-59 | Black / Eloxal Brass |
| ● 2190-1-62 | Platinum |
| ● 2190-1-79 | Brushed Aluminium |
| ● 2190-1-8 | White |



2190-1-59

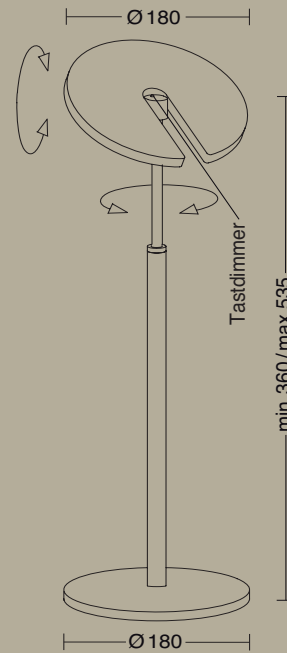
supernova t

Technical data

1x LED
18W - NV-LED
2600 Lumen
2700 Kelvin
CRI > 90
Dimmer

Finish

- | | |
|-------------|-------------------|
| ● 2146-1-19 | Eloxal Brass |
| ● 2146-1-55 | Black |
| ● 2146-1-62 | Platinum |
| ● 2146-1-79 | Brushed Aluminium |
| ● 2146-1-8 | White |



2146-1-79



2146-1-55



2140-1-62; 2141-1-79



2141-1-19

supernova w / wd

Technical data SuperNova W

1x LED
18W - NV-LED
2600 Lumen
2700 Kelvin
CRI >90
Dimmable

Finish

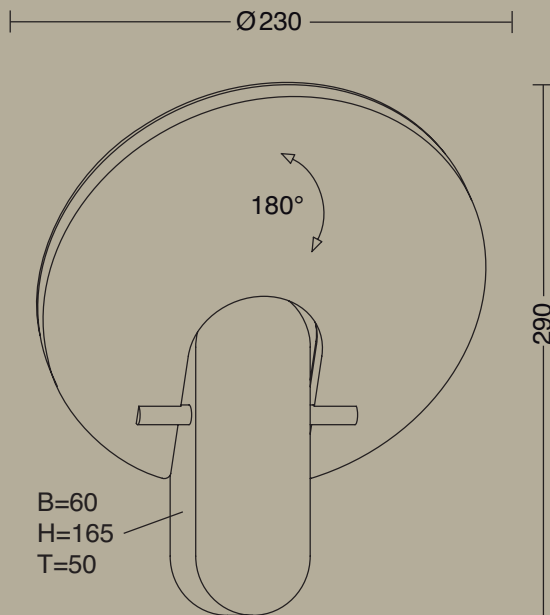
- 2140-1-19 Eloxal Brass
- 2140-1-55 Black
- 2140-1-62 Platinum
- 2140-1-79 Brushed Aluminium

Technical data SuperNova WD

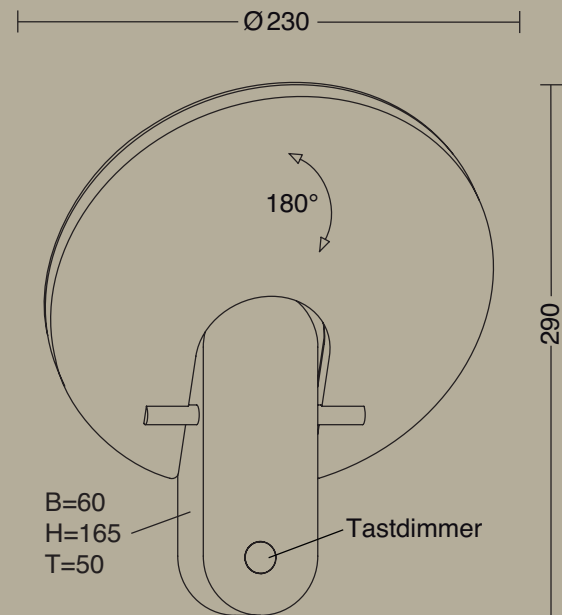
1x LED
18W - NV-LED
2600 Lumen
2700 Kelvin
CRI >90
Dimmer

Finish

- 2141-1-19 Eloxal Brass
- 2141-1-55 Black
- 2141-1-62 Platinum
- 2141-1-79 Brushed Aluminium



Ausladung min. 50/max. 245



Ausladung min. 50/max. 245

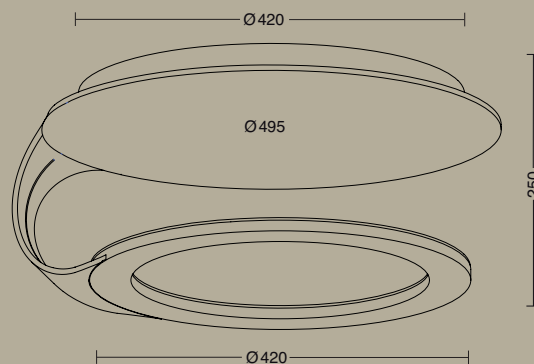
supernova dl

Technical data

1x LED
45W - NV-LED
6700 Lumen
2200 - 2900 Kelvin - DIM TO WARM
CRI > 90
Dimmable

Finish

- | | |
|--------------|---------------------------|
| ● 2160-1-59 | Black / Eloxal Brass |
| ● 2160-1-79 | Brushed Aluminium |
| ● 2160-1-8 | White |
| ● 2160-1-879 | White / Brushed Aluminium |



2160-1-59

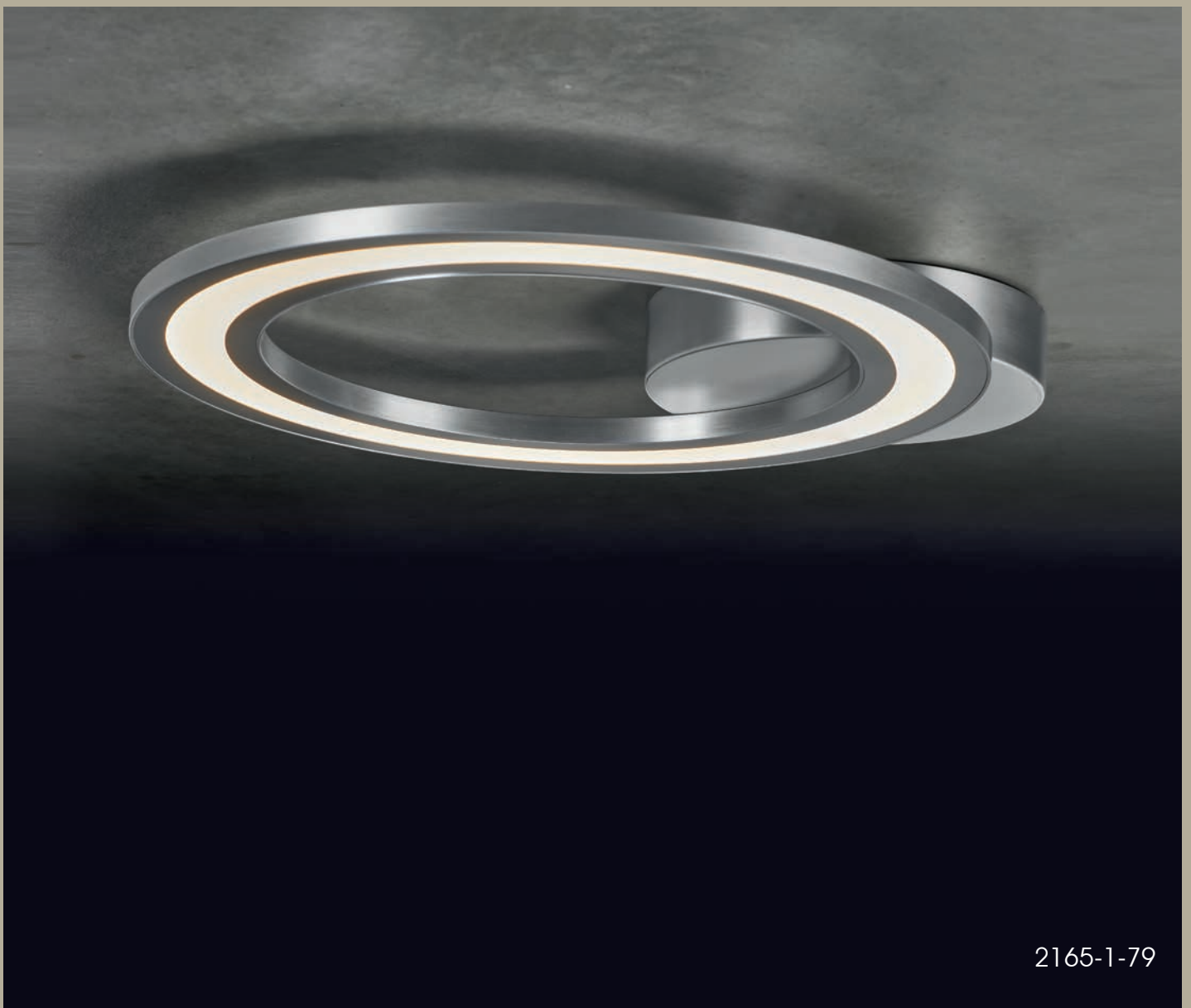
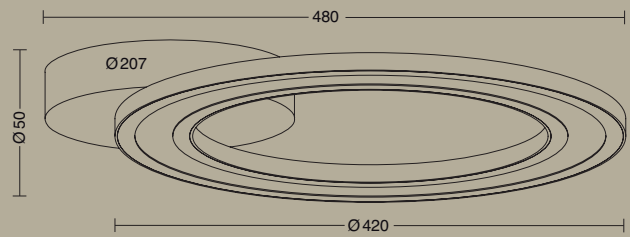
orbit

Technical data

1x LED
39W - NV-LED
5400 Lumen
2700 Kelvin
CRI >90
Dimmable

Finish

- 2165-1-55 Black
- 2165-1-59 Black / Eloxal Brass
- 2165-1-79 Brushed Aluminium
- 2165-1-8 White



2165-1-79

type

Type S

Milieu image

108-109

Technical data

110-111

Type T

Technical data

112-113



9930-1-624

type s

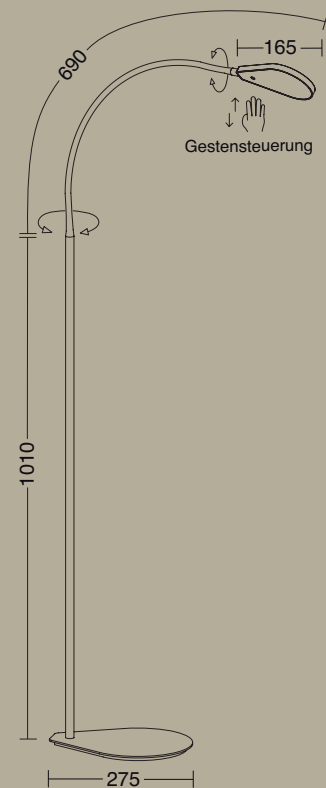


type s

Technical data

1x LED
 15W - NV-LED
 1800 Lumen
 2200 - 2850 Kelvin
 DIM TO WARM
 Gesture control

Item	+	Finish	+	Hose color
9930-1		19 	1	
		55 	2	
		62 	3	
		79 	4	
			5	



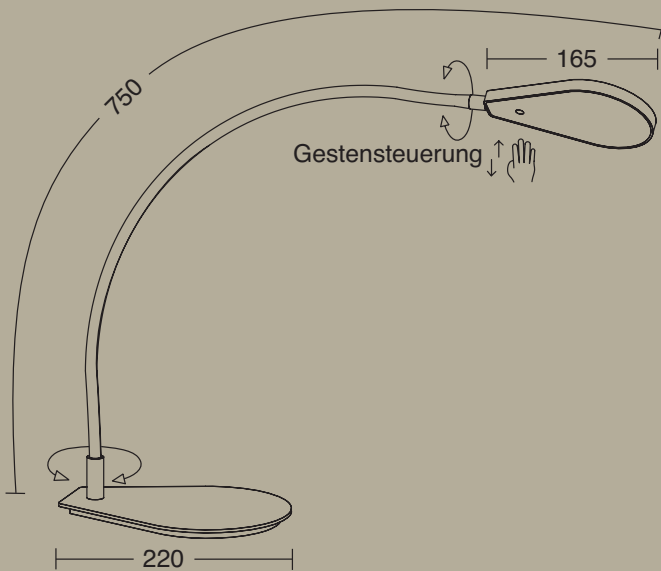
9930-1-792; 9930-1-555; 9930-1-624



9930-1-555

type t

Technical data	Item	+	Finish	+	Hose color
1x LED 15W - NV-LED 1800 Lumen 2200 - 2850 Kelvin DIM TO WARM Gesture control	9931-1		19 	1	
			55 	2	
			62 	3	
			79 	4	
				5	





9931-1-625



9931-1-795

avior

Milieu image	116-117
Production image	118-119
Technical data	120-121

avior



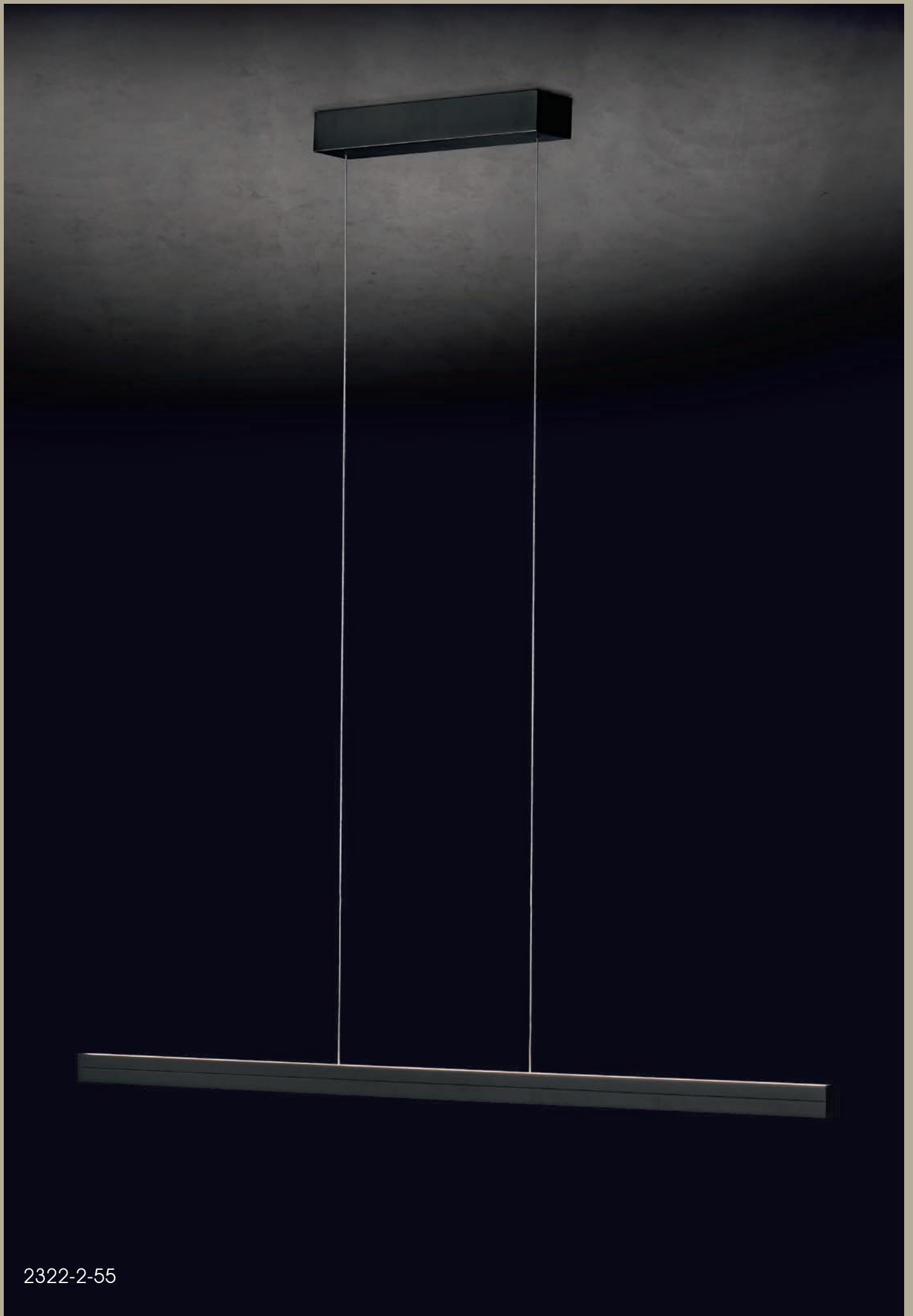


2322-2-33



The aluminum profiles are further processed on our **profile machining center**. Find the Avior profile in the picture above.

avior








2322-2-55

AVIOR S 825mm

Technical data

2x LED
 45W - NV-LED
 4300 Lumen
 2200 - 2850 Kelvin - DIM TO WARM
 CRI >90
 Gesture control

Finish






	2321-2-19	Eloxal Brass
	2321-2-33	Bronze
	2321-2-55	Black
	2321-2-61	Siver matt
	2321-2-62	Platinum

AVIOR M 1225mm

Technical data

2x LED
 67W - NV-LED
 6400 Lumen
 2200 - 2850 Kelvin - DIM TO WARM
 CRI >90
 Gesture control

Finish






	2322-2-19	Eloxal Brass
	2322-2-33	Bronze
	2322-2-55	Black
	2322-2-61	Siver matt
	2322-2-62	Platinum

AVIOR L 1625mm

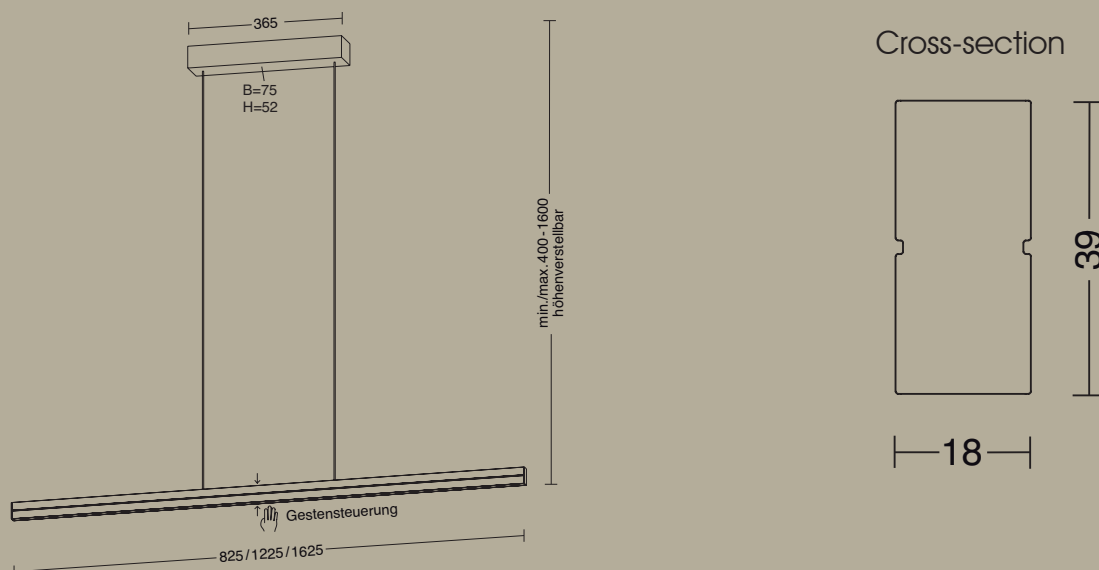
Technical data

2x LED
 90W - NV-LED
 8500 Lumen
 2200 - 2850 Kelvin - DIM TO WARM
 CRI >90
 Gesture control

Finish

	2323-2-19	Eloxal Brass
	2323-2-33	Bronze
	2323-2-55	Black
	2323-2-61	Siver matt
	2323-2-62	Platinum

Special cable lengths are available on request as customised products at an extra charge.



xend

Milieu image

124-125

Technical data

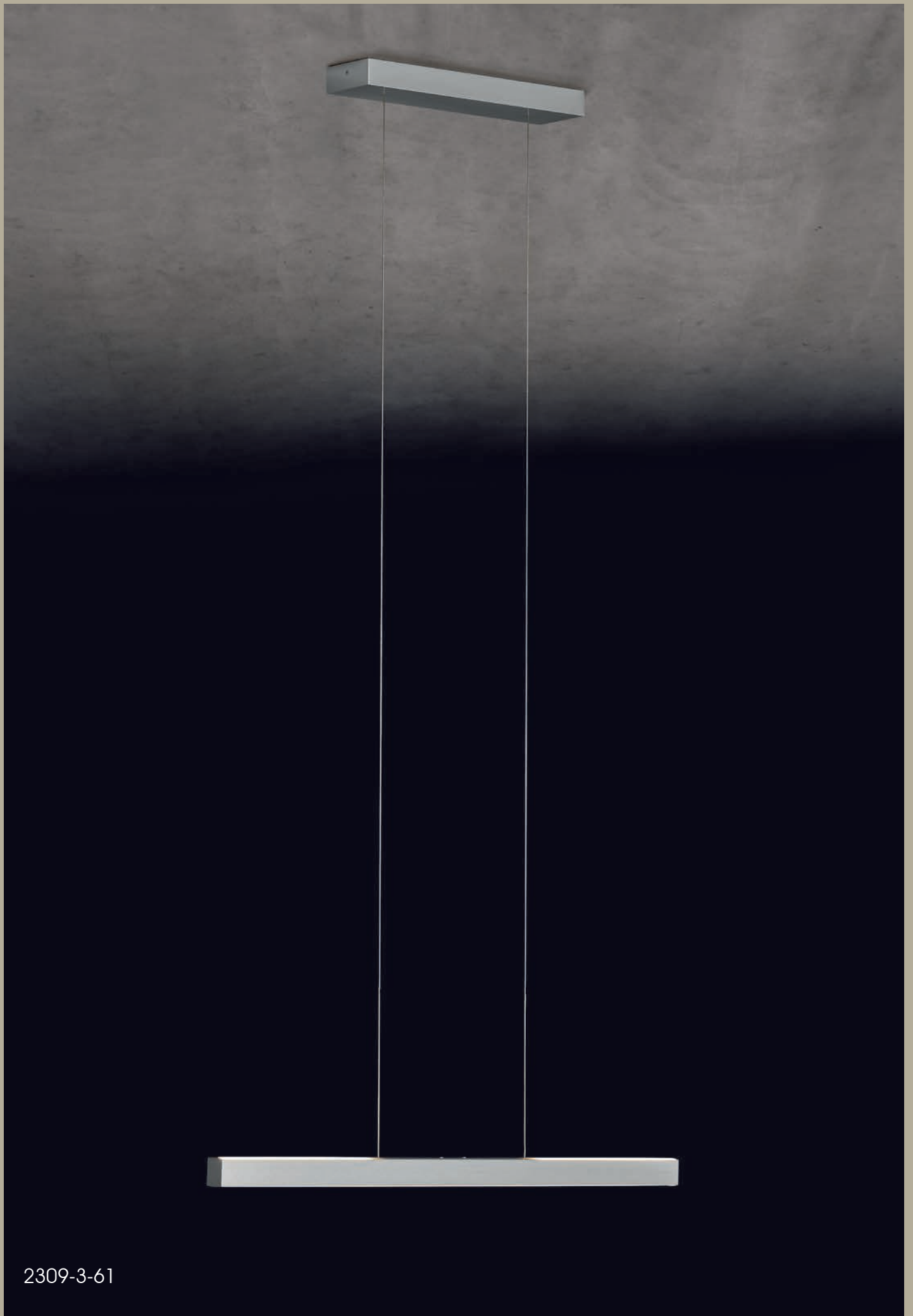
126-127



2312-3-55

hammelbeck - Möbel & Innenausbau

xend








2309-3-61






Technical data

3x LED
 42W - NV-LED
 2700 Lumen (Uplight)
 4200 Lumen (Downlight)
 2200 - 2850 Kelvin - DIM TO WARM
 CRI >90
 Dimmer






Finish XENA XS Length 900mm

	2309-3-19	Eloxal Brass
	2309-3-33	Bronze
	2309-3-55	Black
	2309-3-61	Siver matt
	2309-3-62	Platinum

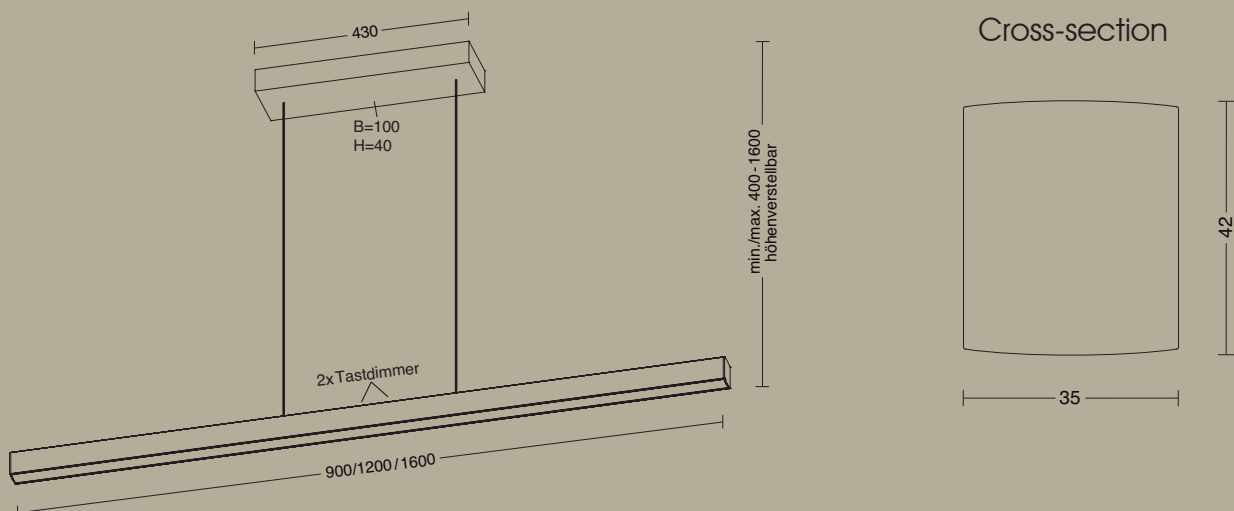
Finish XENA S Length 1200mm

	2312-3-19	Eloxal Brass
	2312-3-33	Bronze
	2312-3-55	Black
	2312-3-61	Siver matt
	2312-3-62	Platinum

Finish XENA L Length 1600mm

	2316-3-19	Eloxal Brass
	2316-3-33	Bronze
	2316-3-55	Black
	2316-3-61	Siver matt
	2316-3-62	Platinum

Special cable lengths are available on request as customised products at an extra charge.



epsilon

Milieu image	130-131
Production image	132-133
Technical data	134-135

epsilon



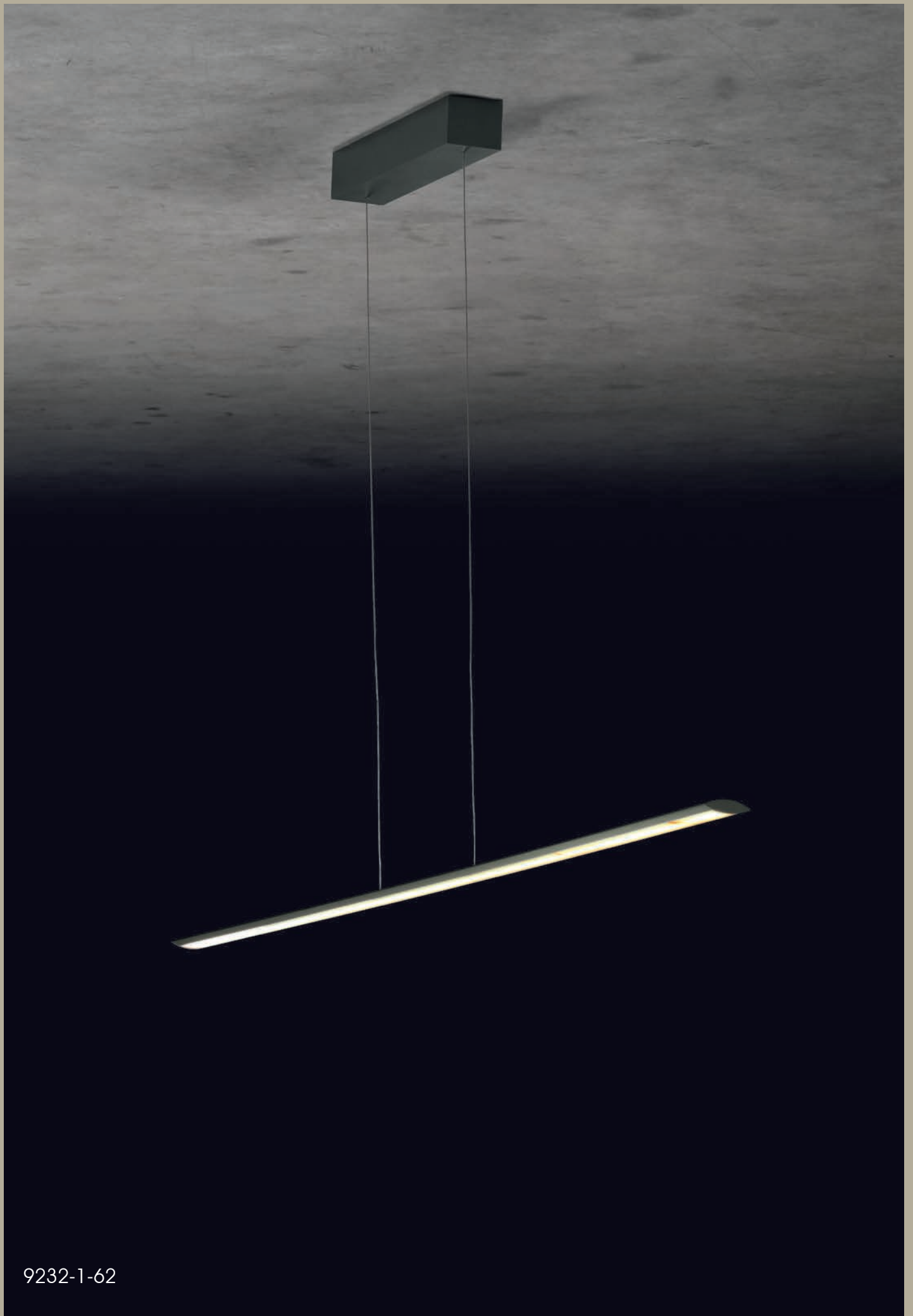
9236-1-55





Cutting of aluminum profiles. The image shows the **Epsilon profile**.

epsilon



9232-1-62

epsilon

EPSILON 830mm

Technical data

1x LED
29W - NV-LED
3000 Lumen
2200 - 2700 Kelvin - DIM TO WARM
CRI >90
Dimmable

Finish

● 9231-1-19	Eloxal Brass
● 9231-1-55	Black
● 9231-1-61	Siver matt
● 9231-1-62	Platinum

EPSILON 1230mm

Technical data

1x LED
43W - NV-LED
4400 Lumen
2200 - 2700 Kelvin - DIM TO WARM
CRI >90
Dimmable

Finish

● 9232-1-19	Eloxal Brass
● 9232-1-55	Black
● 9232-1-61	Siver matt
● 9232-1-62	Platinum

EPSILON 1630mm

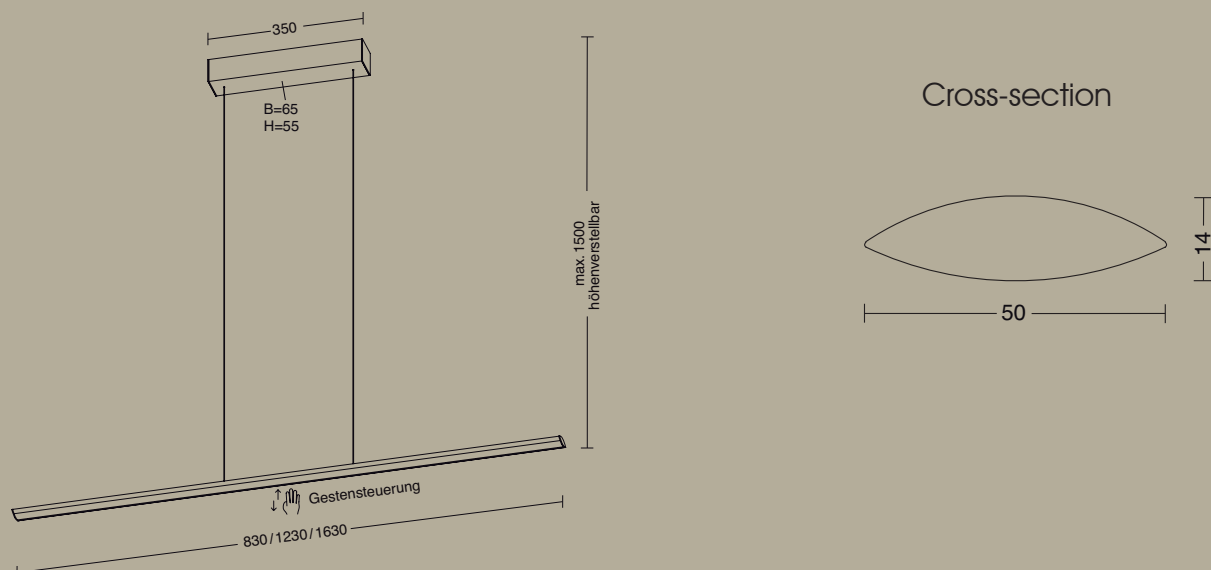
Technical data

1x LED
58W - NV-LED
5900 Lumen
2200 - 2700 Kelvin - DIM TO WARM
CRI >90
Dimmable

Finish

● 9236-1-19	Eloxal Brass
● 9236-1-55	Black
● 9236-1-61	Siver matt
● 9236-1-62	Platinum

Special cable lengths are available on request as customised products at an extra charge.



aura

Aura S

Milieu image 138-139

Technical data 140-141

Aura A / E / P1

Technical data 142-143

Aura P2

Technical data 144-145

Aura P3 / R3

Technical data 146-147

aura



2020-1-55 + M20-19; 2025-3-55 + 3x GL20-51



aura s

Technical data

1x LED
16,6W - NV-LED
1660 Lumen
1800 - 2900 Kelvin - DIM TO WARM
CRI >95
Dimmer

Finish

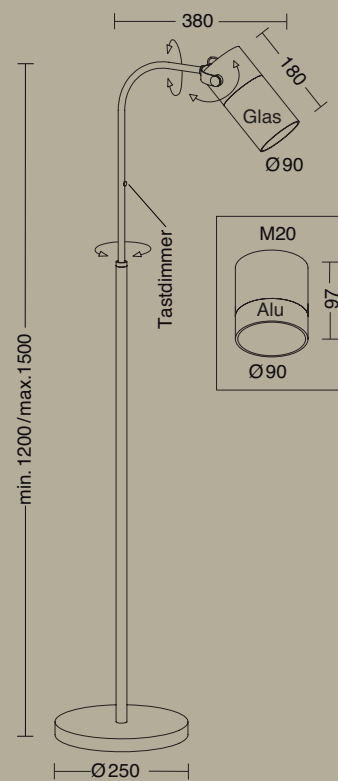
- | | |
|-------------|-------------------|
| ● 2020-1-19 | Eloxal Brass |
| ● 2020-1-55 | Black |
| ● 2020-1-62 | Platinum |
| ● 2020-1-79 | Brushed Aluminium |

Mouth-blown glasses

- | | |
|---------|-------------------|
| GL20-23 | Opal matt |
| GL20-24 | Opal matt pleated |
| GL20-43 | Amber |
| GL20-51 | Cognac |
| GL20-63 | Smoked grey |

Reflectors

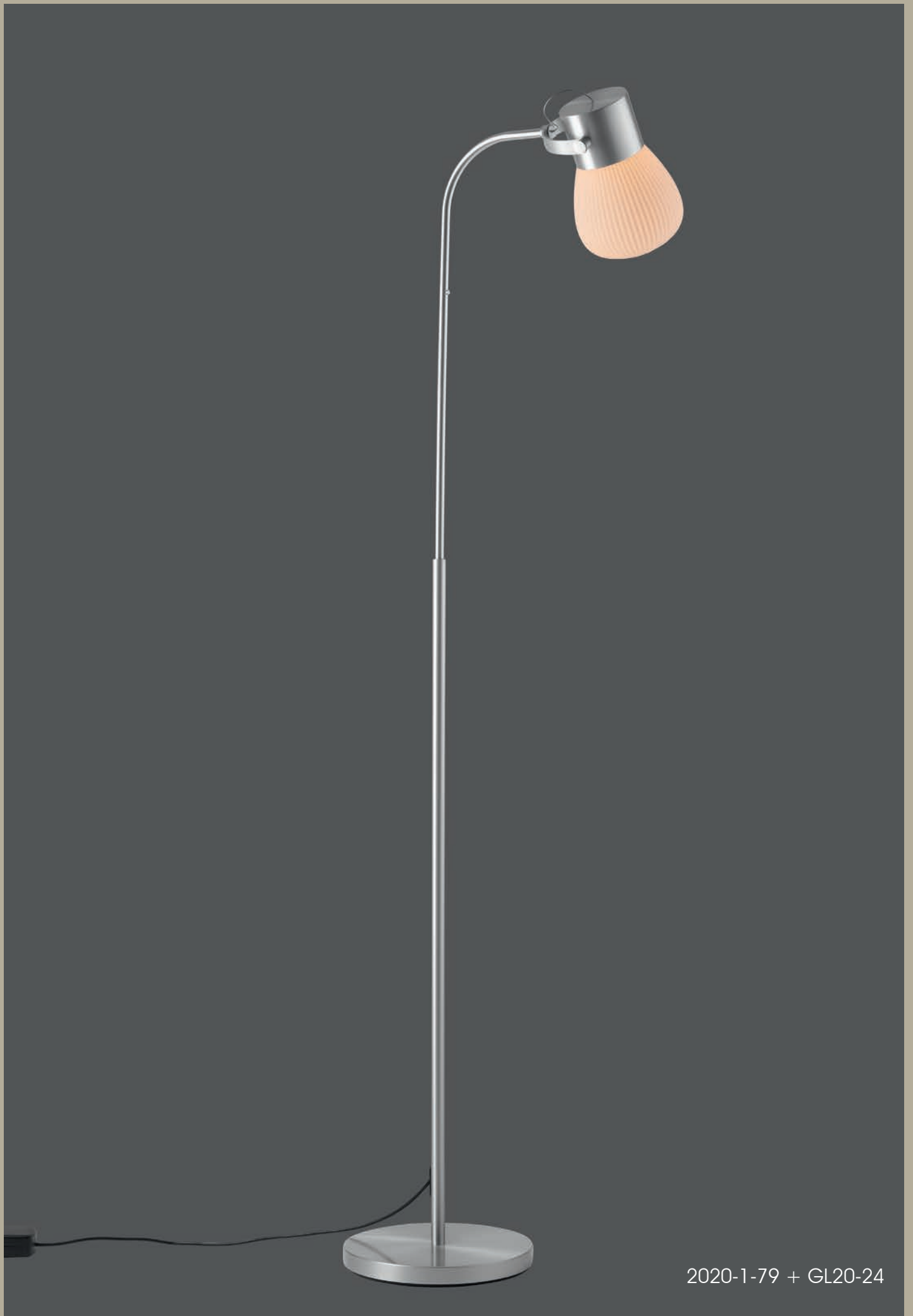
- | | |
|--------|-------------------|
| M20-19 | Eloxal Brass |
| M20-55 | Black |
| M20-62 | Platinum |
| M20-79 | Brushed Aluminium |



2020-1-55 + GL20-51



2020-1-62 + M20-79



2020-1-79 + GL20-24

aura p1 / a / e

AURA P1

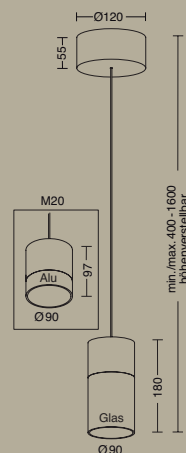
Technical data

1x LED
 16,6W - NV-LED
 1660 Lumen
 1800 - 2900 Kelvin
 DIM TO WARM
 CRI >95
 Dimmable

Finish

- 2028-1-19
- 2028-1-55
- 2028-1-62
- 2028-1-79

Eloxal Brass
 Black
 Platinum
 Brushed Aluminium



AURA A

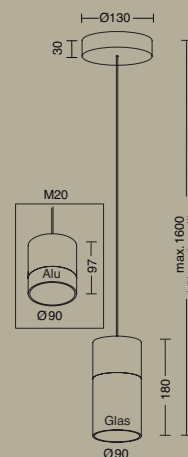
Technical data

1x LED
 16,6W - NV-LED
 1660 Lumen
 1800 - 2900 Kelvin
 DIM TO WARM
 CRI >95
 Dimmable

Finish

- 2027-1-19
- 2027-1-55
- 2027-1-62
- 2027-1-79

Eloxal Brass
 Black
 Platinum
 Brushed Aluminium



AURA E

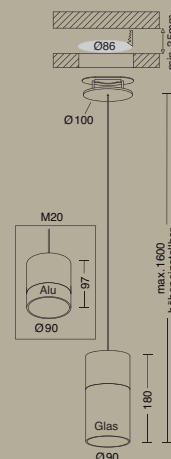
Technical data

1x LED
 16,6W - NV-LED
 1660 Lumen
 1800 - 2900 Kelvin
 DIM TO WARM
 CRI >95
 Dimmable

Finish

- 2026-1-19
- 2026-1-55
- 2026-1-62
- 2026-1-79

Eloxal Brass
 Black
 Platinum
 Brushed Aluminium



Mouth-blown glasses

- GL20-23 Opal matt
- GL20-24 Opal matt pleated
- GL20-43 Amber
- GL20-51 Cognac
- GL20-63 Smoked grey

Reflectors

- M20-19 Eloxal Brass
- M20-55 Black
- M20-62 Platinum
- M20-79 Brushed Aluminium

Special cable lengths are available on request as customised products at an extra charge.



2028-1-55 + M20-19

aura p2

Technical data

2x LED

2x 16,6W - NV-LED

3320 Lumen

1800 - 2900 Kelvin - DIM TO WARM

CRI >95

Dimmable

Finish

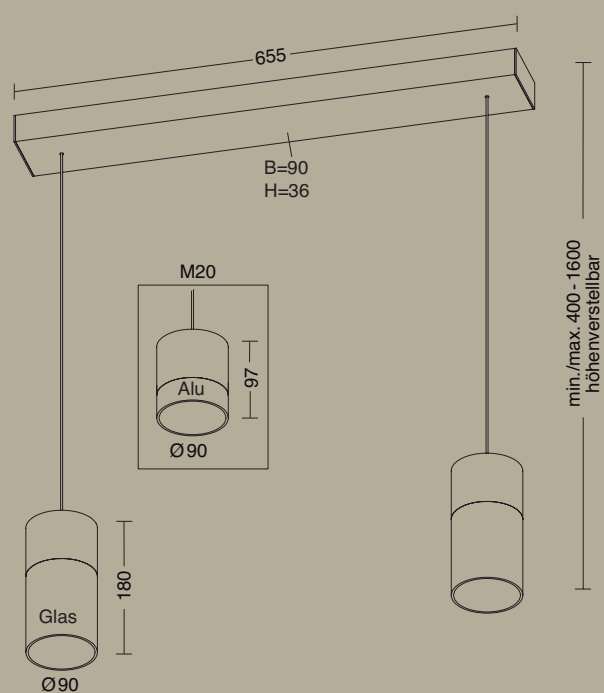
- | | |
|-------------|-------------------|
| ● 2022-2-19 | Eloxal Brass |
| ● 2022-2-55 | Black |
| ● 2022-2-62 | Platinum |
| ● 2022-2-79 | Brushed Aluminium |

Mouth-blown glasses

- | | |
|---------|-------------------|
| GL20-23 | Opal matt |
| GL20-24 | Opal matt pleated |
| GL20-43 | Amber |
| GL20-51 | Cognac |
| GL20-63 | Smoked grey |

Reflectors

- | | |
|--------|-------------------|
| M20-19 | Eloxal Brass |
| M20-55 | Black |
| M20-62 | Platinum |
| M20-79 | Brushed Aluminium |



Special cable lengths are available on request as customised products at an extra charge.



2022-2-19 + 2x GL20-43



aura p3 / aura r3

AURA P3






Technical data

3x LED
 3x 16,6W - NV-LED
 4980 Lumen
 1800 - 2900 Kelvin - DIM TO WARM
 CRI >95
 Dimmable

Finish

-  2023-3-19 Eloxal Brass
-  2023-3-55 Black
-  2023-3-62 Platinum
-  2023-3-79 Brushed Aluminium

Mouth-blown glasses

-  GL20-23 Opal matt
-  GL20-24 Opal matt pleated
-  GL20-43 Amber
-  GL20-51 Cognac
-  GL20-63 Smoked grey

Reflectors

-  M20-19 Eloxal Brass
-  M20-55 Black
-  M20-62 Platinum
-  M20-79 Brushed Aluminium

AURA R3






Technical data

3x LED
 3x 16,6W - NV-LED
 4980 Lumen
 1800 - 2900 Kelvin - DIM TO WARM
 CRI >95
 Dimmable

Finish

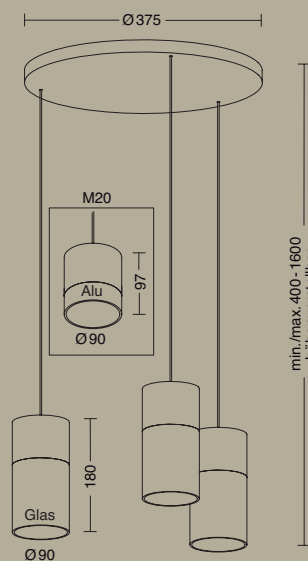
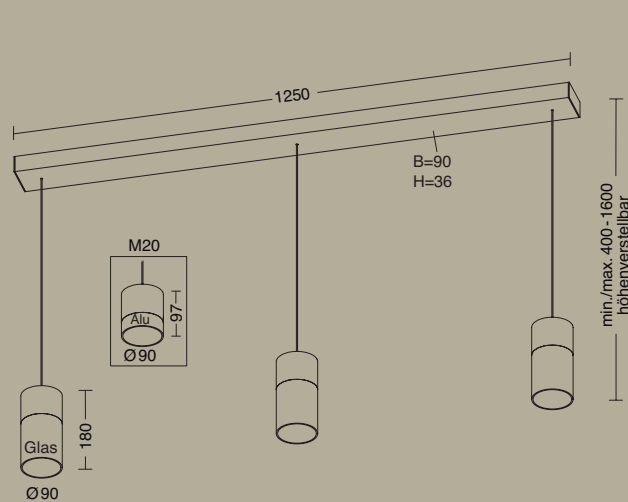
-  2025-3-19 Eloxal Brass
-  2025-3-55 Black
-  2025-3-62 Platinum
-  2025-3-79 Brushed Aluminium

Mouth-blown glasses

-  GL20-23 Opal matt
-  GL20-24 Opal matt pleated
-  GL20-43 Amber
-  GL20-51 Cognac
-  GL20-63 Smoked grey

Reflectors

-  M20-19 Eloxal Brass
-  M20-55 Black
-  M20-62 Platinum
-  M20-79 Brushed Aluminium



Special cable lengths are available on request as customised products at an extra charge.



2023-3-79 + 3x M20-62

nova

Nova Oog

Milieu image	150-151
Production image	152-153
Technical data	154-155

Nova

Milieu image	156-157
Production image	158-159
Technical data	160-161

Nova Plano

Production image	162-163
Technical data	164-165



9907-2-59

nova oog

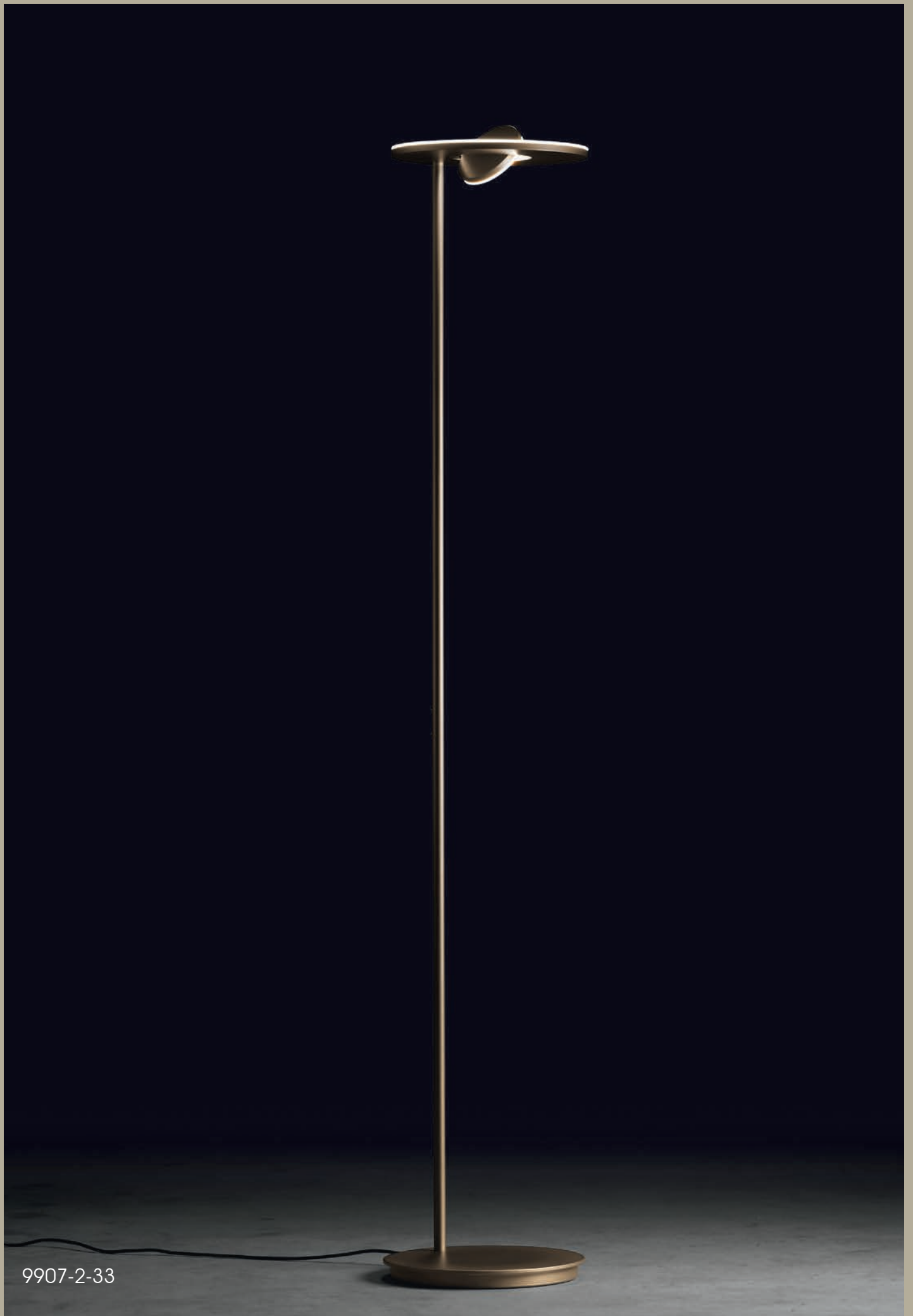


nova oog



The many years of experience of our employees, attention to detail, and regular inspection of the surface result in the elegant and **distinctive grind pattern** on our luminaires.





9907-2-33

nova oog

Technical data Inner ring

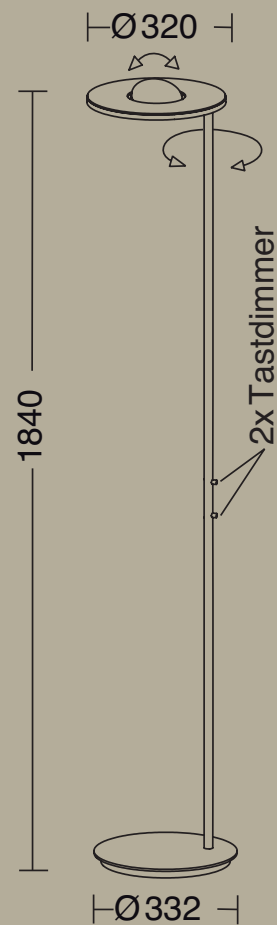
1x LED
19W - NV-LED
2200 Lumen
2700 Kelvin
CRI >90
Dimmer

Technical data Outer ring

1x LED
48W - NV-LED
6500 Lumen
2700 Kelvin
CRI >90
Dimmer

Finish

● 9907-2-19	Eloxal Brass
● 9907-2-33	Bronze
● 9907-2-55	Black
● 9907-2-59	Black / Eloxal Brass
● 9907-2-62	Platinum
● 9907-2-79	Brushed Aluminium
● 9907-2-8	White



9907-2-55

nova



9906-2-55



nova



The **9906-2-19 floor lamp** is fully assembled and undergoes a final inspection before being packaged and shipped.



nova

Technical data Inner ring

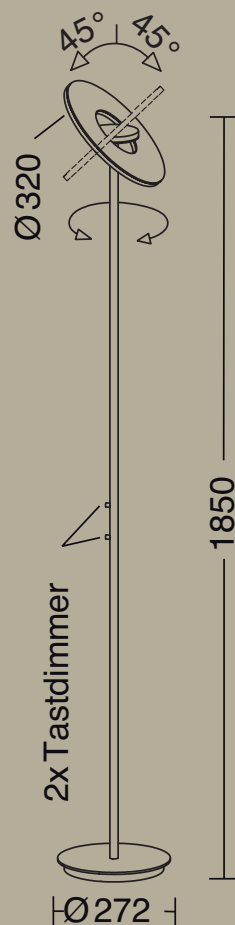
1x LED
14W - NV-LED
2200 Lumen
2700 Kelvin
CRI > 90
Dimmer

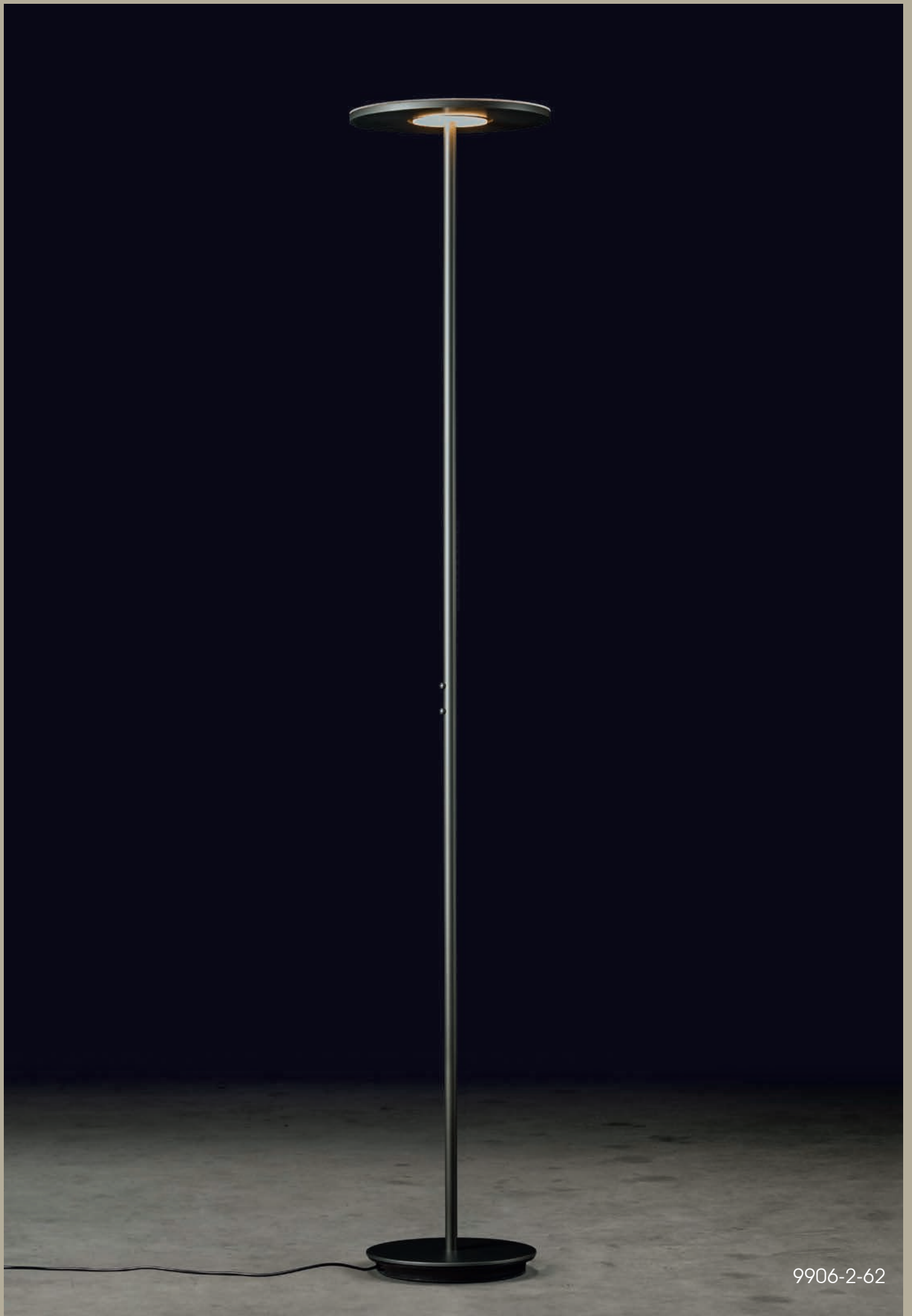
Technical data Outer ring

1x LED
47W - NV-LED
6800 Lumen
2700 Kelvin
CRI > 90
Dimmer

Finish

● 9906-2-19	Eloxal Brass
● 9906-2-33	Bronze
● 9906-2-55	Black
● 9906-2-59	Black / Eloxal Brass
● 9906-2-62	Platinum
● 9906-2-79	Brushed Aluminium
● 9906-2-8	White





9906-2-62



nova plano

Deep drawing: A simple metal sheet is transformed into an elegant **lamp base** through multiple processing steps. The tools required for deep drawing are manufactured in our in-house tool design and construction.





9909-2-19

nova plano

Technical data ring

1x LED
47W - NV-LED
6500 Lumen
2700 Kelvin
CRI >90
Dimmer

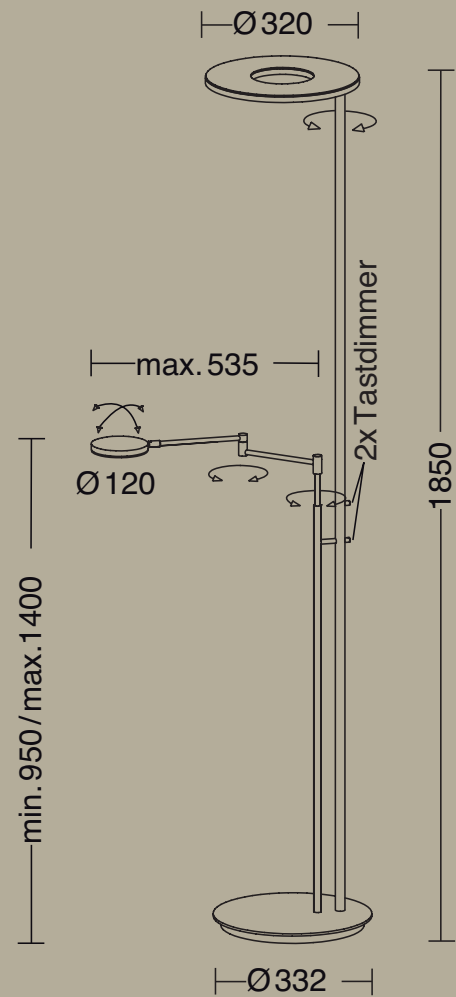
Technical data side arm

1x LED
19W - NV-LED
2200 Lumen
2700 Kelvin
CRI >90
Dimmer

Finish

- 9909-2-19 Eloxal Brass
- 9909-2-33 Bronze
- 9909-2-55 Black
- 9909-2-62 Platinum
- 9909-2-79 Brushed Aluminium

112076 optional acrylic disc



plano

Plano B

Milieu image	168-169
Production image	170-171
Technical data	172-173

Plano S

Technical data	174-175
----------------	---------

Plano Twin

Technical data	176-177
----------------	---------

Plano T

Technical data	178-179
----------------	---------

Plano

Technical data	180-181
----------------	---------

Plano WB

Technical data	182-183
----------------	---------

Plano W

Technical data	184
----------------	-----

Plano WD

Technical data	185
----------------	-----

plano b



9656-1-19





Painting: Our colours "Platin," "Eloxal Brass," and "Bronze" are not available for purchase elsewhere. They are mixed in our in-house paint shop and applied with great experience and expertise.

plano b



The **final assembly** is the last step in the manufacturing process. All the metallic and electrical components are combined and assembled into a functional luminaire.



9656-1-33 + optional acrylic disc 112076

plano b

Technical data

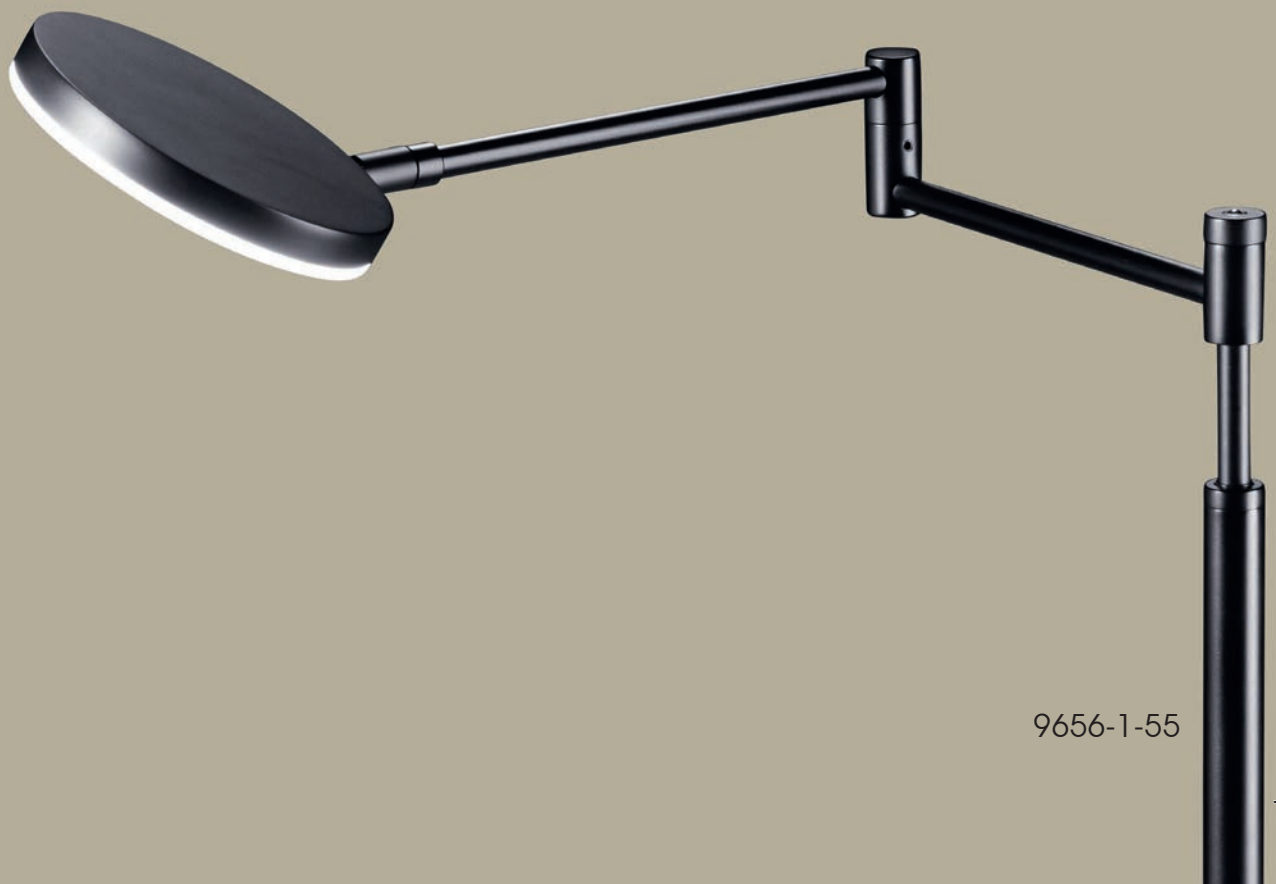
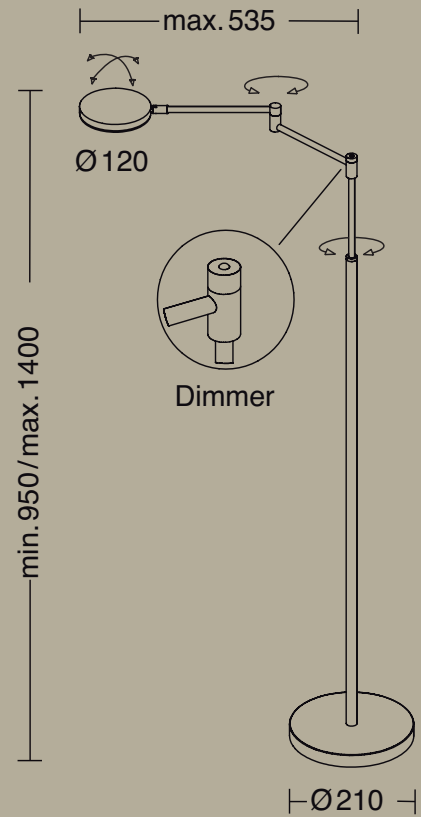
1x LED
19W - NV-LED
2200 Lumen
2700 Kelvin
CRI > 90
Dimmer

Finish

- 9656-1-19 Eloxal Brass
- 9656-1-33 Bronze
- 9656-1-55 Black
- 9656-1-59 Black / Eloxal Brass
- 9656-1-62 Platinum
- 9656-1-79 Brushed Aluminium
- 9656-1-8 White

112076

optional acrylic disc





9659-1-19

plano s

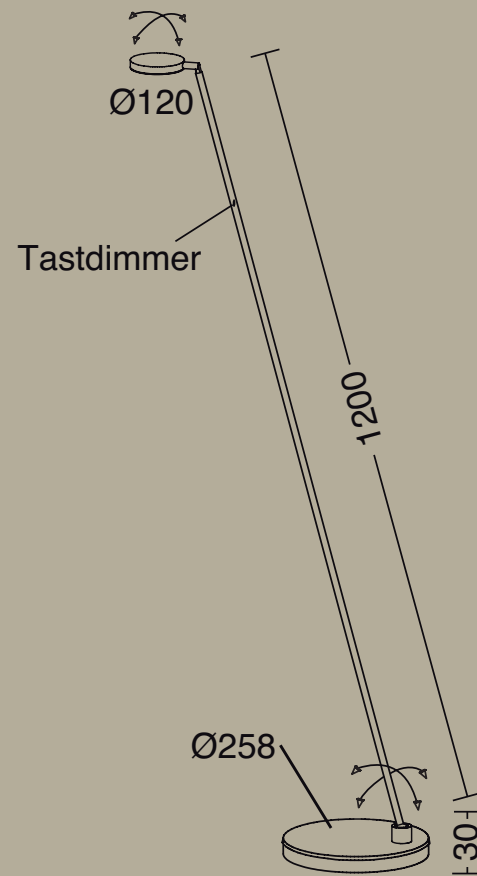
Technical data

1x LED
19W - NV-LED
2200 Lumen
2700 Kelvin
CRI >90
Dimmer

Finish

- 9659-1-19 Eloxal Brass
- 9659-1-55 Black
- 9659-1-62 Platinum
- 9659-1-79 Brushed Aluminium

112076 optional acrylic disc



Ausladung · Extension max. 850

plano twin

Technical data

2x LED

2x 19W - NV-LED

4400 Lumen

2700 Kelvin

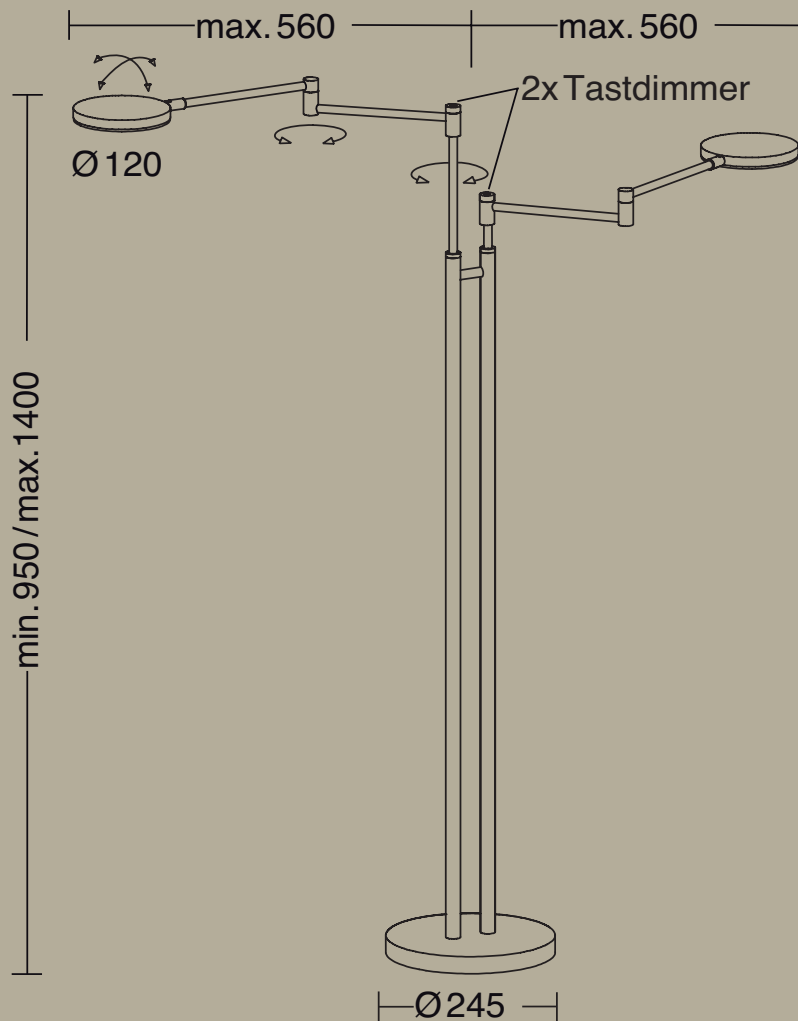
CRI >90

Dimmer

Finish

- 9652-2-19 Eloxal Brass
- 9652-2-33 Bronze
- 9652-2-55 Black
- 9652-2-62 Platinum
- 9652-2-79 Brushed Aluminium

112076 optional acrylic disc





9652-2-19

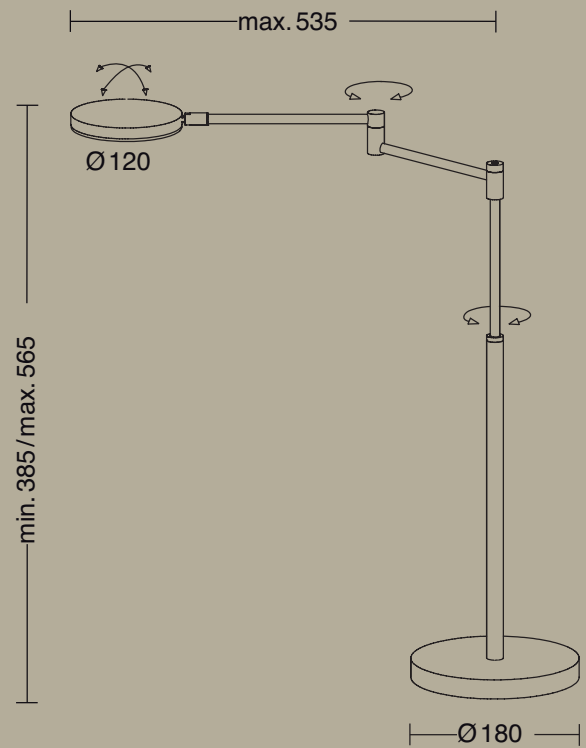
plano t

Technical data

1x LED
19W - NV-LED
2200 Lumen
2700 Kelvin
CRI >90
Dimmer

Finish

● 9657-1-19	Eloxal Brass
● 9657-1-33	Bronze
● 9657-1-55	Black
● 9657-1-62	Platinum
● 9657-1-79	Brushed Aluminium
● 9657-1-8	White
112076	optional acrylic disc





9657-1-79

plano

Technical data

4x LED

4x 10W - NV-LED

7000 Lumen

2700 Kelvin

CRI >90

Dimmer

Finish

● 9901-4-55

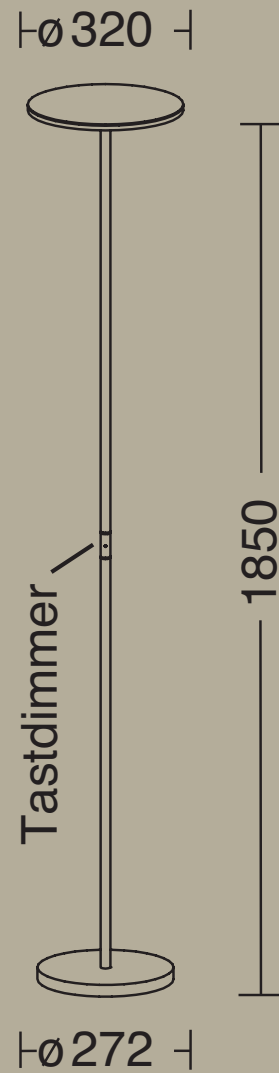
Black

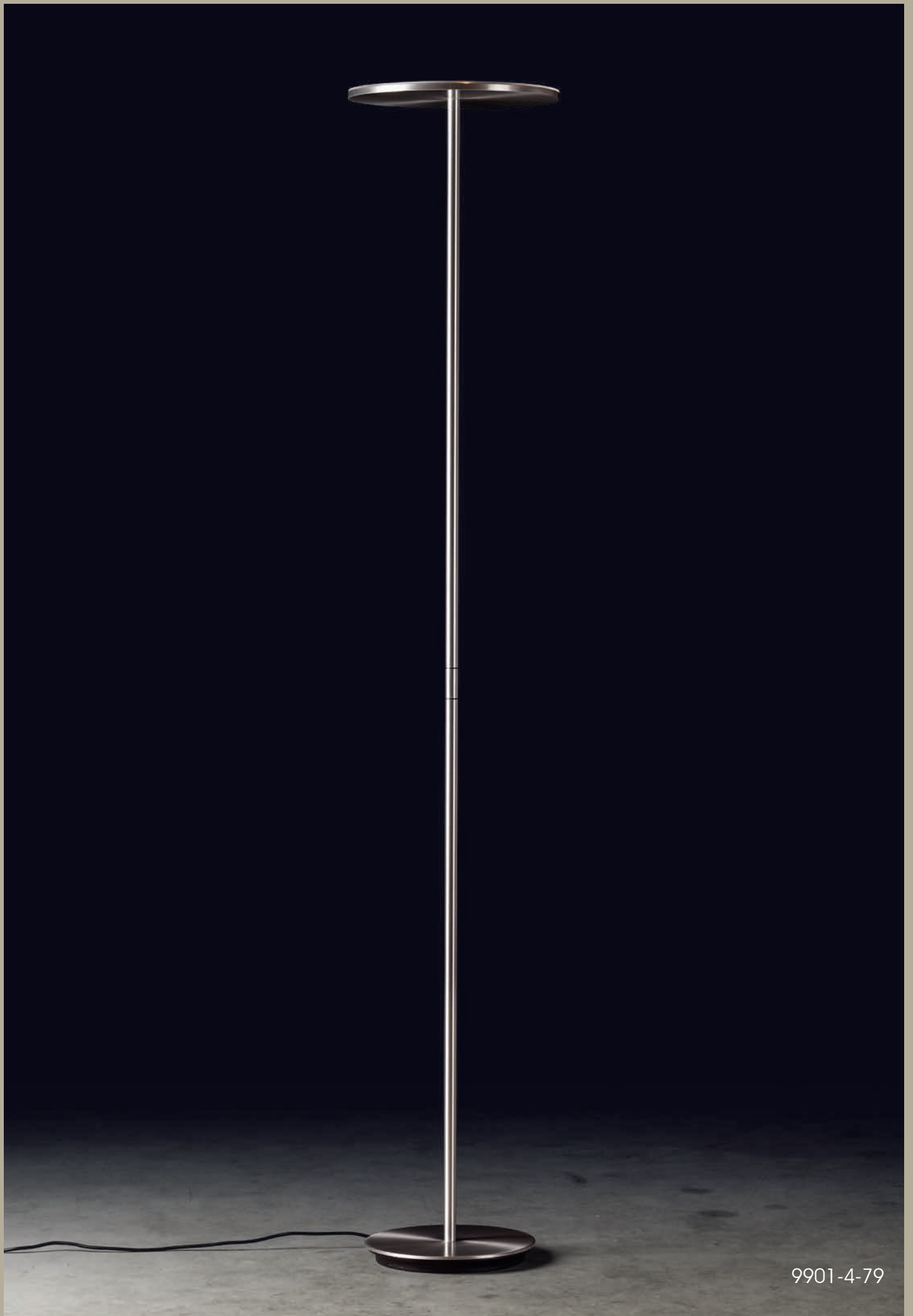
● 9901-4-62

Platinum

● 9901-4-79

Brushed Aluminium





9901-4-79

plano wb

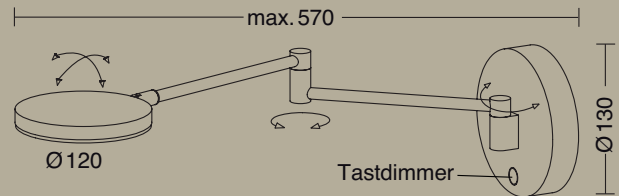
Technical data

1x LED
14W - NV-LED
2000 Lumen
2700 Kelvin
CRI > 90
Dimmer

Finish

- 9658-1-19 Eloxal Brass
- 9658-1-33 Bronze
- 9658-1-55 Black
- 9658-1-62 Platinum
- 9658-1-79 Brushed Aluminium

112076 optional acrylic disc





9658-1-19



9658-1-79

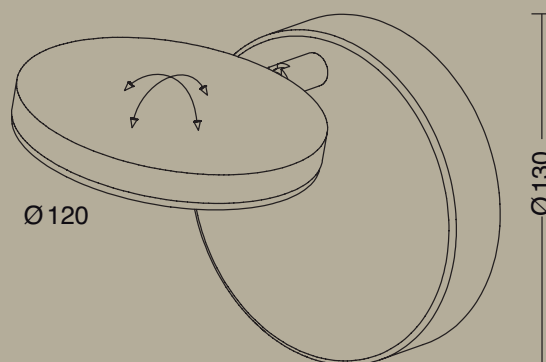
plano w

Technical data Plano W

1x LED
14W - NV-LED
2000 Lumen
2700 Kelvin
CRI >90
Dimmable

Finish

- | | |
|-------------|-------------------|
| ● 9915-1-19 | Eloxal Brass |
| ● 9915-1-55 | Black |
| ● 9915-1-62 | Platinum |
| ● 9915-1-79 | Brushed Aluminium |
| ● 9915-1-8 | White |



Ausladung · Extension max. 155



9915-1-62

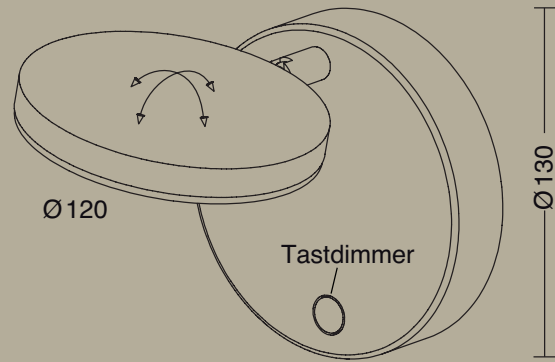
plano wd

Technical data Plano WD

1x LED
14W - NV-LED
2000 Lumen
2700 Kelvin
CRI >90
Dimmer

Finish

- | | |
|-------------|-------------------|
| ● 9914-1-19 | Eloxal Brass |
| ● 9914-1-55 | Black |
| ● 9914-1-62 | Platinum |
| ● 9914-1-79 | Brushed Aluminium |
| ● 9914-1-8 | White |



Ausladung · Extension max. 155



9914-1-79

flex

Flex S

Milieu image	188-189
Production image	190-191
Technical data	192-193

Flex Twin

Milieu image	194-195
Technical data	196-197

Flex T / K

Technical data	198-199
----------------	---------

Flex W

Technical data	200-201
----------------	---------

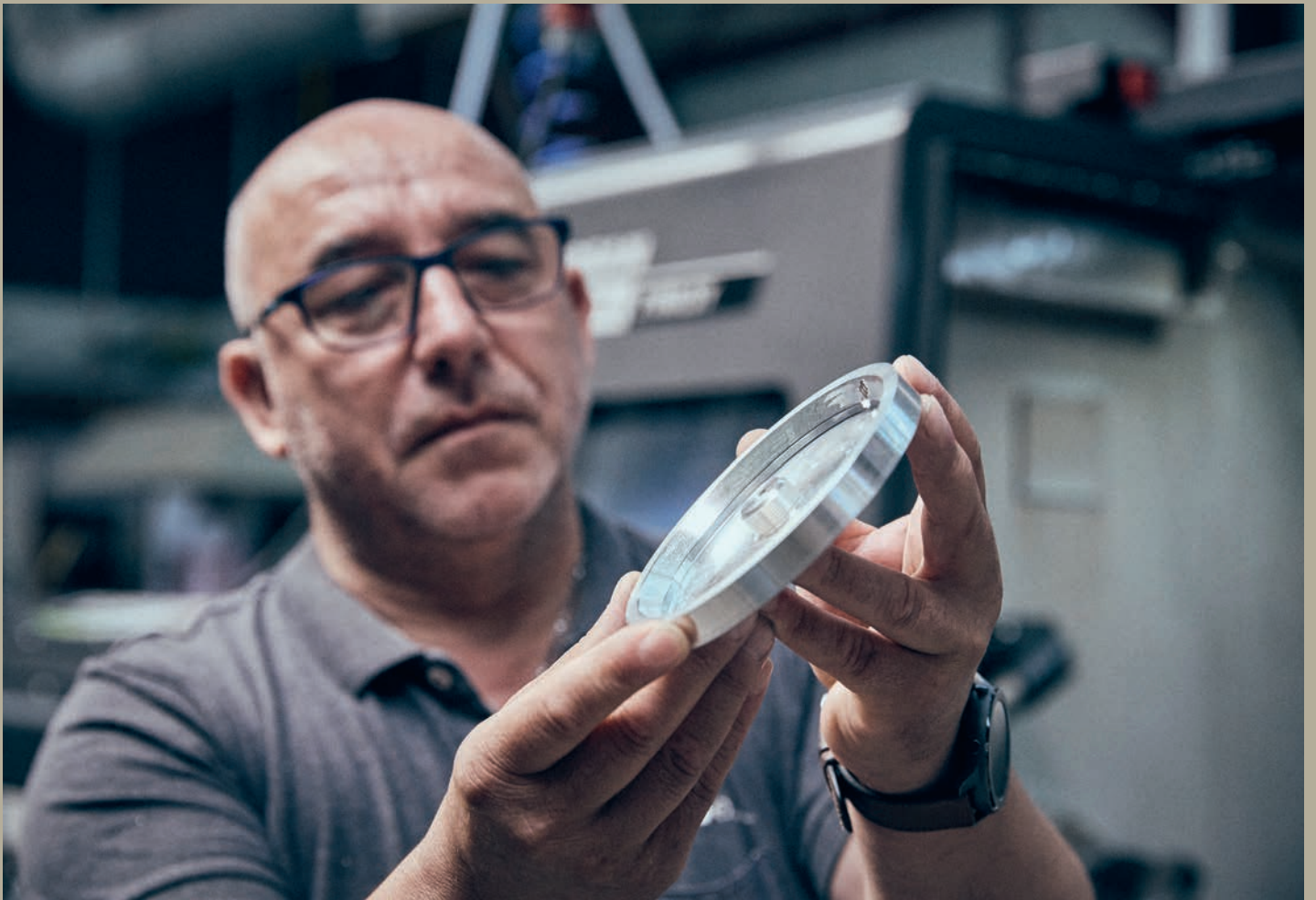
Flex D3 / D5

Technical data	202-203
----------------	---------

Nova Flex

Technical data	204-205
----------------	---------

flex



No lighting fixture is used as frequently as this one. Whether for the **Plano-/ Flex-/ or Nova-series**, this reflector always provides high-quality illumination. We manufacture it by us using CNC machines.



It is only through **careful packaging** that the luminaire arrives in perfect condition at its destination.

flex s



9920-1-555



flex s

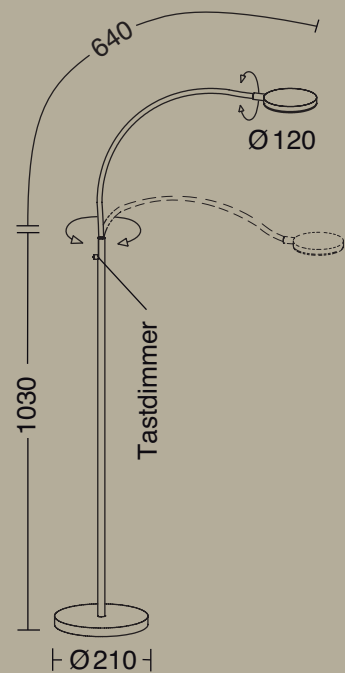
Technical data

1x LED
 19W - NV-LED
 2200 Lumen
 2700 Kelvin
 Dimmer

Item + Finish + Hose color

9920-1	19		1	
	55		2	
	62		3	
	79		4	
			5	

112076 optional acrylic disc



9920-1-553



9920-1-794

flex twin



9924-2-794





9924-2-794

flex twin

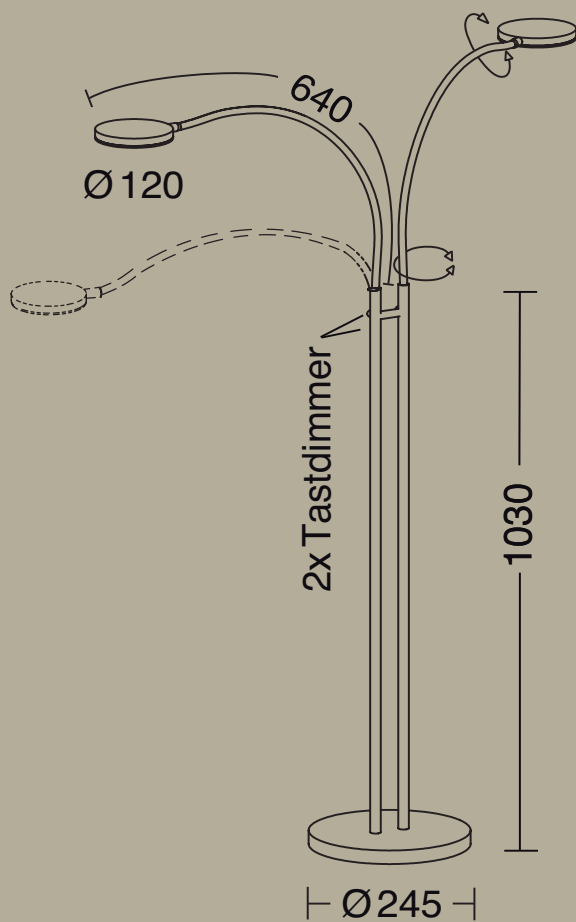
Technical data

2x LED
 2x 19W - NV-LED
 4400 Lumen
 2700 Kelvin
 CRI >90
 Dimmer

Item	+	Finish	+	Hose color
9924-2		19 	1	
		55 	2	
		62 	3	
		79 	4	
			5	

112076

optional acrylic disc



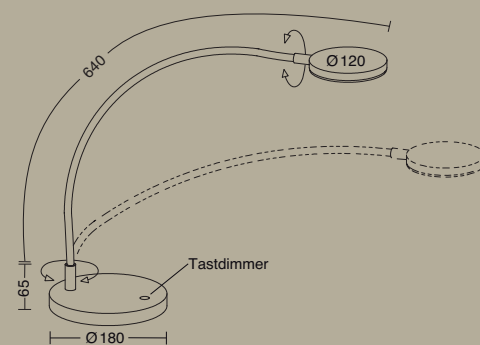
flex t

Technical data

1x LED
 19W - NV-LED
 2200 Lumen
 2700 Kelvin
 Dimmer

Item + Finish + Hose color

9921-1	19		1	
	55		2	
	62		3	
	79		4	
			5	



112076 optional acrylic disc



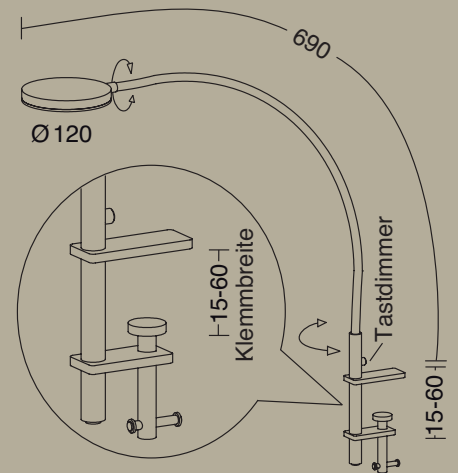
9921-1-555

flex k

Technical data

1x LED
 19W - NV-LED
 2200 Lumen
 2700 Kelvin
 Dimmer

Item	+	Finish	+	Hose color
9926-1		19 	1	
		55 	2	
		62 	3	
		79 	4	
			5	



112076 optional acrylic disc



flex w

Technical data

1x LED
 12W - 230V
 1130 Lumen
 2700 Kelvin
 CRI >90
 Dimmer

Item +

9922-1

Finish

19 

55 

62 


79 


+ Hose color

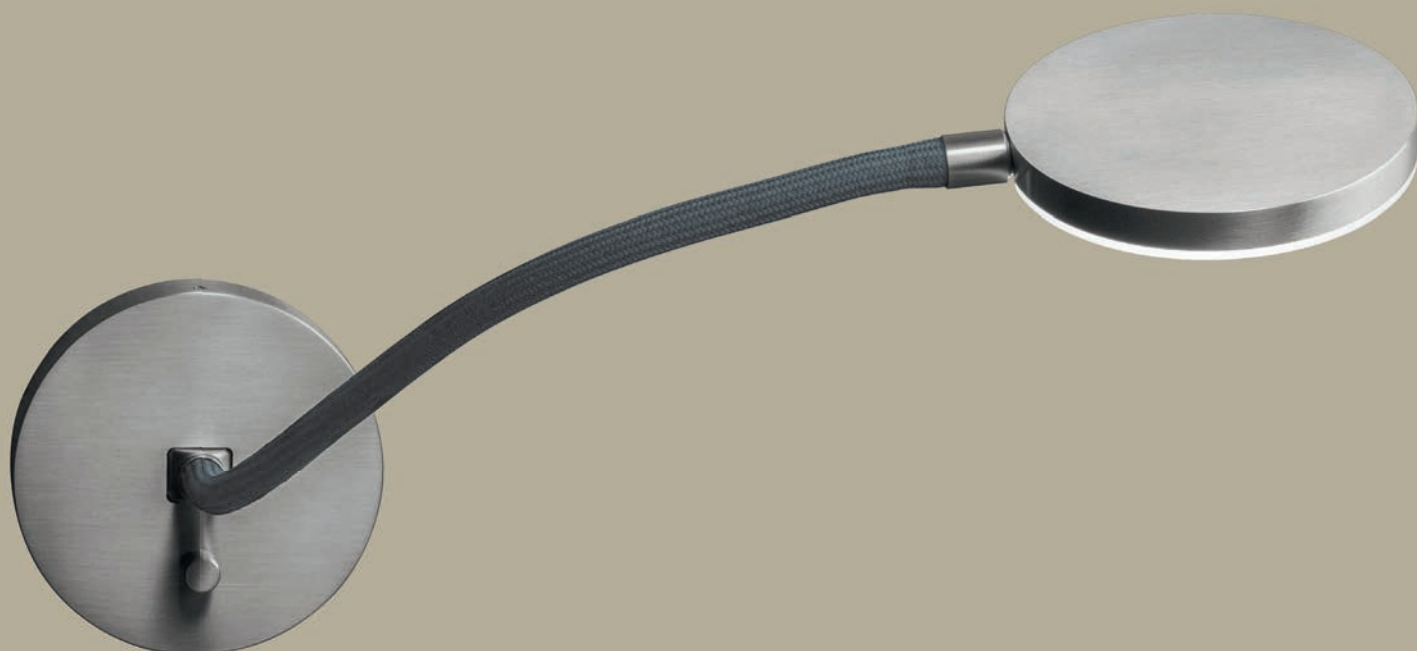
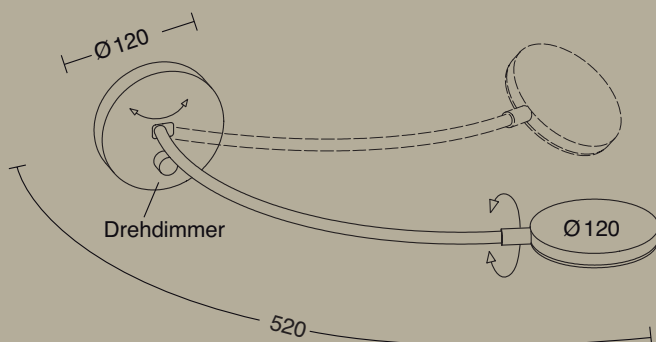
1 

2 

3 

4 

5 



9922-1-794



9922-1-625

flex d3

Technical data

3x LED
 3x 12W - 230V
 3390 Lumen
 2700 Kelvin
 CRI > 90
 Dimmable

Item +

9923-3

Finish


19 

55 

62 


79 


+ Hose color

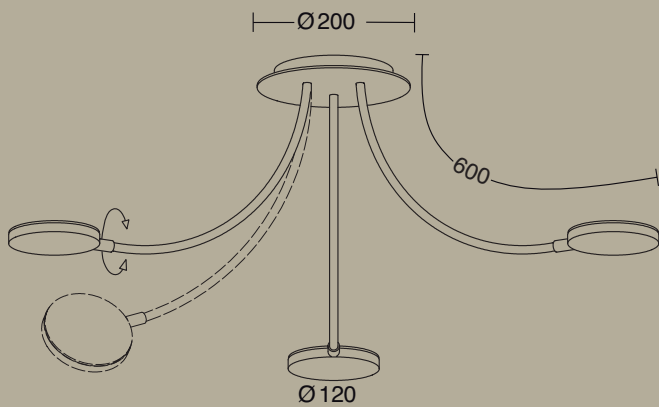
1 

2 

3 

4 

5 



9923-3-625

flex d5

Technical data

5x LED
5x 12W - 230V
5650 Lumen
2700 Kelvin
CRI > 90
Dimmable

Item + Finish + Hose color

9925-5

19



1



55



2



62



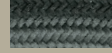
3



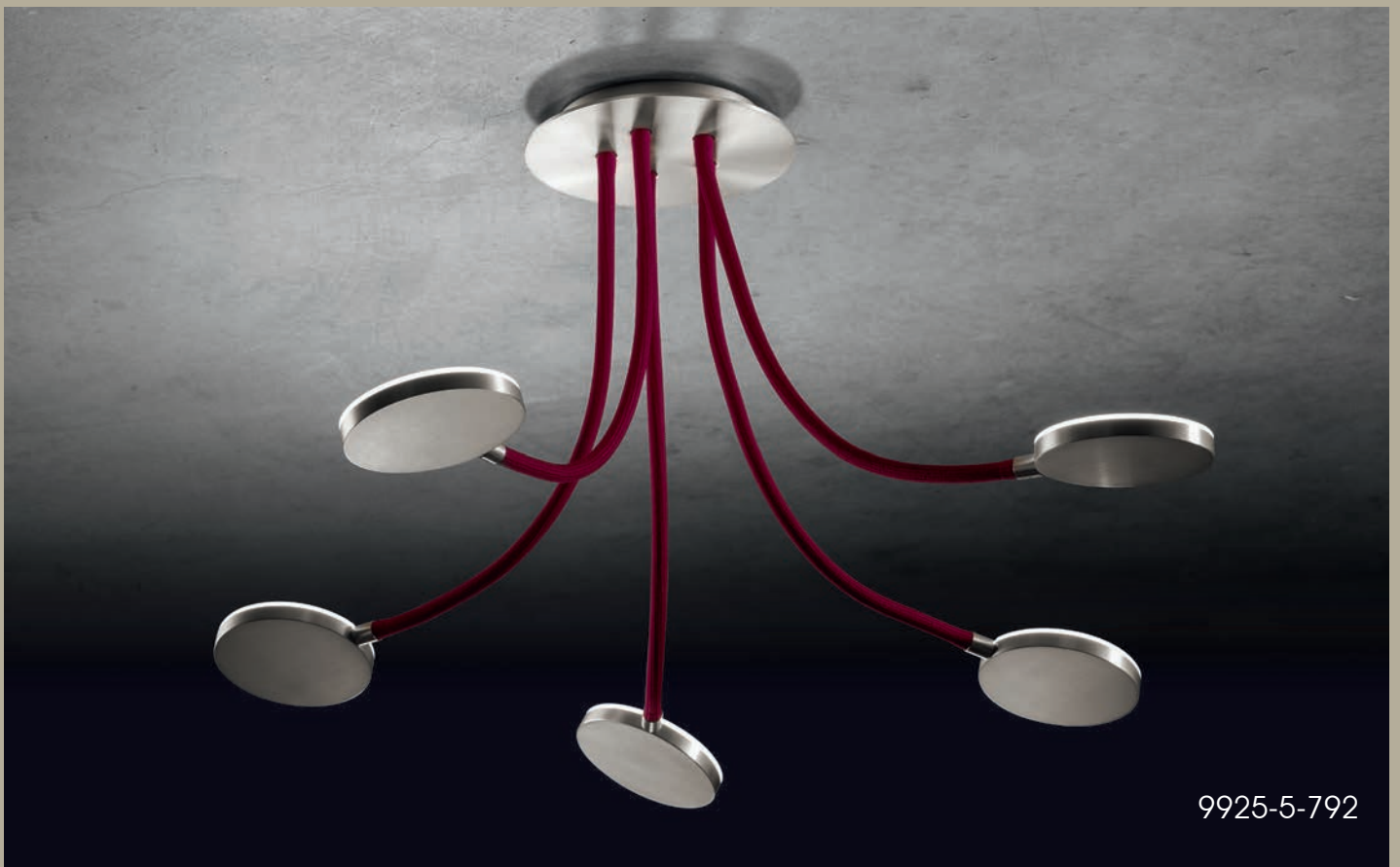
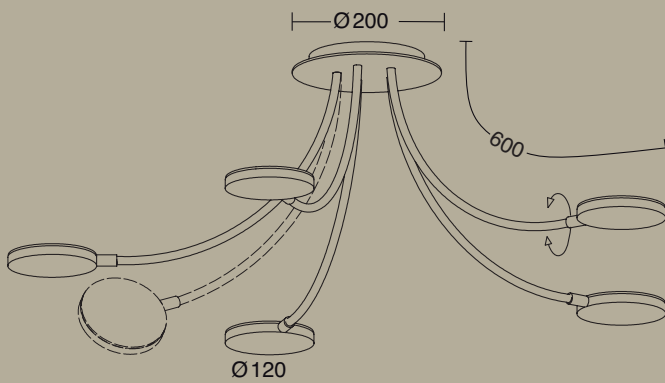
79



4



5



9925-5-792



9908-2-625

nova flex

Technical data ring

1x LED
48W - NV-LED
6500 Lumen
2700 Kelvin
Dimmer

Item +
9908-2

Finish

19



55



62



79



+ Hose color

1



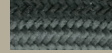
2



3



4



5

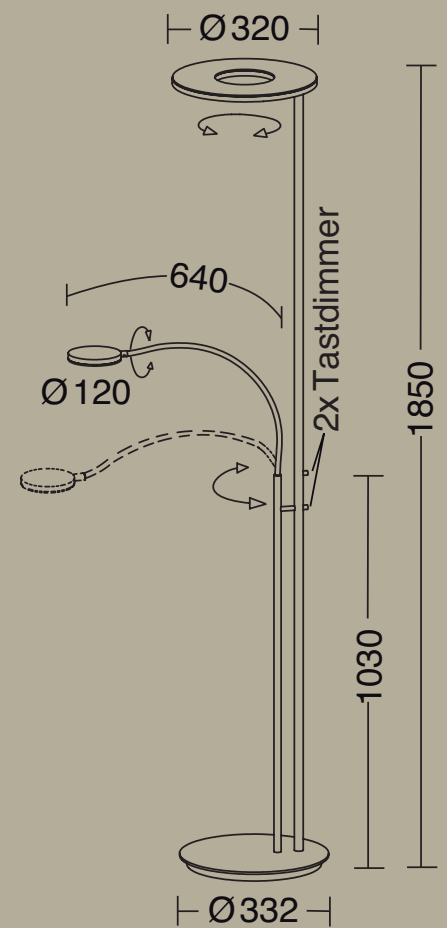


Technical data side arm

1x LED
19W - NV-LED
2200 Lumen
2700 Kelvin
Dimmer

Item +
112076

optional acrylic disc



vita

Vita P

Technical data

208

Vita 3

Technical data

209

Vita 6

Technical data

210-211

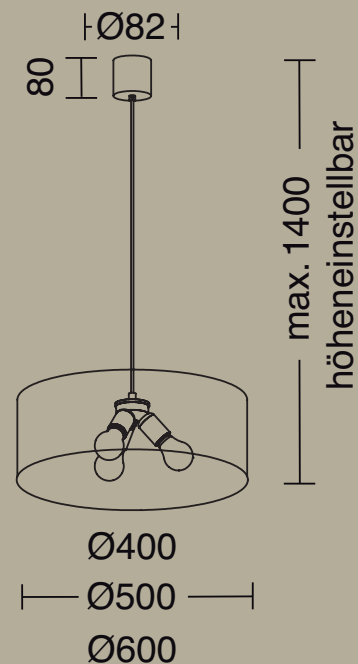
vita p

Technical data

3x E27
230V



5302-3-69 +
751-60-23



Finish

● 5302-3-69 Satin nickel

+ Chintz shades

Ø 400 mm - max. 3x 40W

- 751-40-12 Light grey
- 751-40-17 Wellenoptik White
- 751-40-23 Slate
- 751-40-4 Champagne
- 751-40-41 Sand
- 751-40-7 White
- 751-40-80 Blattsilber
- 751-40-90 Blattgold

+ Chintz shades

Ø 500 mm - max. 3x 60W

- 751-50-12 Light grey
- 751-50-17 Wellenoptik White
- 751-50-23 Slate
- 751-50-4 Champagne
- 751-50-41 Sand
- 751-50-7 White
- 751-50-80 Blattsilber
- 751-50-90 Blattgold

+ Chintz shades

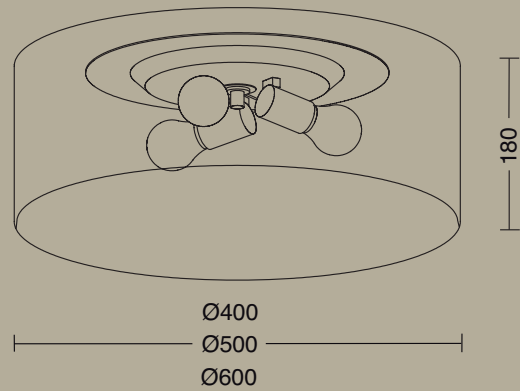
Ø 600 mm - max. 3x 60W

- 751-60-12 Light grey
- 751-60-17 Wellenoptik White
- 751-60-23 Slate
- 751-60-4 Champagne
- 751-60-41 Sand
- 751-60-7 White
- 751-60-80 Blattsilber
- 751-60-90 Blattgold

vita 3

Technical data

3x E27
230V



5301-3-8 +
750-50-80



5301-3-8 +
750-60-4

Finish

● 5301-3-8 White

+ Chintz shades

Ø 400 mm - max. 3x 40W

- 750-40-12 Light grey
- 750-40-17 Wellenoptik White
- 750-40-23 Slate
- 750-40-4 Champagne
- 750-40-41 Sand
- 750-40-7 White
- 750-40-80 Blattsilber
- 750-40-90 Blattgold

+ Chintz shades

Ø 500 mm - max. 3x 60W

- 750-50-12 Light grey
- 750-50-17 Wellenoptik White
- 750-50-23 Slate
- 750-50-4 Champagne
- 750-50-41 Sand
- 750-50-7 White
- 750-50-80 Blattsilber
- 750-50-90 Blattgold

+ Chintz shades

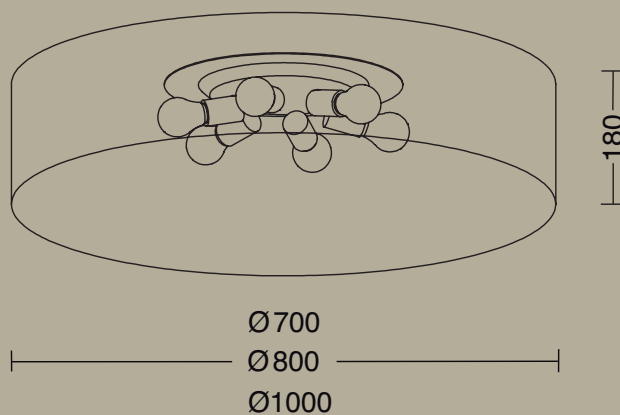
Ø 600 mm - max. 3x 60W

- 750-60-12 Light grey
- 750-60-17 Wellenoptik White
- 750-60-23 Slate
- 750-60-4 Champagne
- 750-60-41 Sand
- 750-60-7 White
- 750-60-80 Blattsilber
- 750-60-90 Blattgold

vita 6

Technical data

6x E27
230V



5306-6-8 +
750-70-17

Finish

● 5306-6-8 White

+ Chintz shades

Ø 700 mm - max. 6x 40W

- 750-70-12 Light grey
- 750-70-17 Wellenoptik White
- 750-70-23 Slate
- 750-70-4 Champagne
- 750-70-41 Sand
- 750-70-7 White
- 750-70-80 Blattsilber
- 750-70-90 Blattgold

+ Chintz shades

Ø 800 mm - max. 6x 60W

- 750-80-12 Light grey
- 750-80-17 Wellenoptik White
- 750-80-23 Slate
- 750-80-4 Champagne
- 750-80-41 Sand
- 750-80-7 White
- 750-80-80 Blattsilber
- 750-80-90 Blattgold

+ Chintz shades

Ø 1000 mm - max. 6x 60W

- 750-100-12 Light grey
- 750-100-17 Wellenoptik White
- 750-100-23 Slate
- 750-100-4 Champagne
- 750-100-41 Sand
- 750-100-7 White
- 750-100-80 Blattsilber
- 750-100-90 Blattgold



5306-6-8 +
750-80-23



5306-6-8 +
750-100-4

fifties

Fifties 3-light

Milieu image

214-215

Technical data

216-217

Fifties 2-light

Technical data

218-219

Fifties 1-light

Technical data

220-221

fifties



6355-3-58 + 755-18-14 + 755-18-15 + 755-18-22



fifties 3-light

Technical data

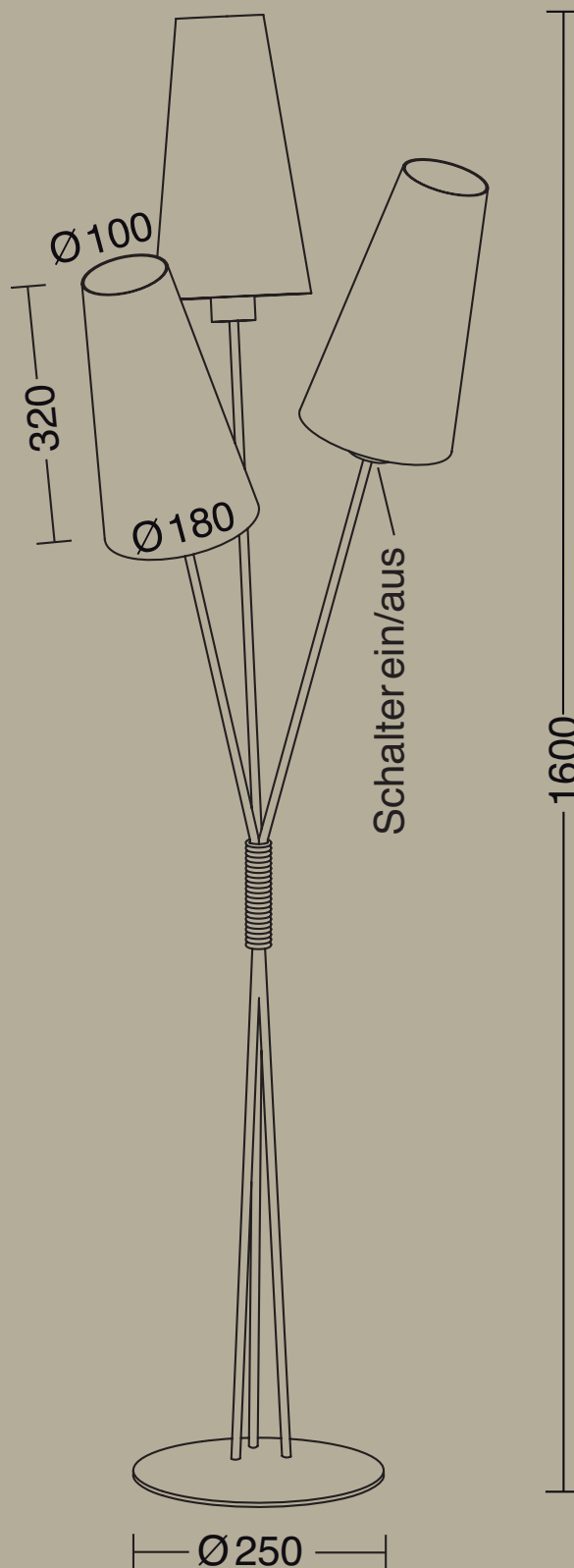
3x E27
 only LED bulb
 230V
 3x On/off switch

Finish

- 6355-3-55 Black
- 6355-3-58 Fume matt
- 6355-3-69 Satin nickel
- 6355-3-9 Polished Brass / Brushed Brass

Chintz shades

- 755-18-12 Light grey
- 755-18-14 Orange
- 755-18-15 Yellow
- 755-18-16 Rose
- 755-18-18 Forest green
- 755-18-19 Dark blue
- 755-18-22 Light green
- 755-18-23 Slate
- 755-18-4 Champagne
- 755-18-41 Sand
- 755-18-42 Taupe
- 755-18-43 Dark red
- 755-18-46 Light rose
- 755-18-47 Light blue
- 755-18-48 Light mint
- 755-18-55 Black
- 755-18-7 White





6355-3-58 + 755-18-16 + 755-18-4 + 755-18-41



6356-2-55 + 755-18-18 + 755-18-22

fifties 2-light

Technical data

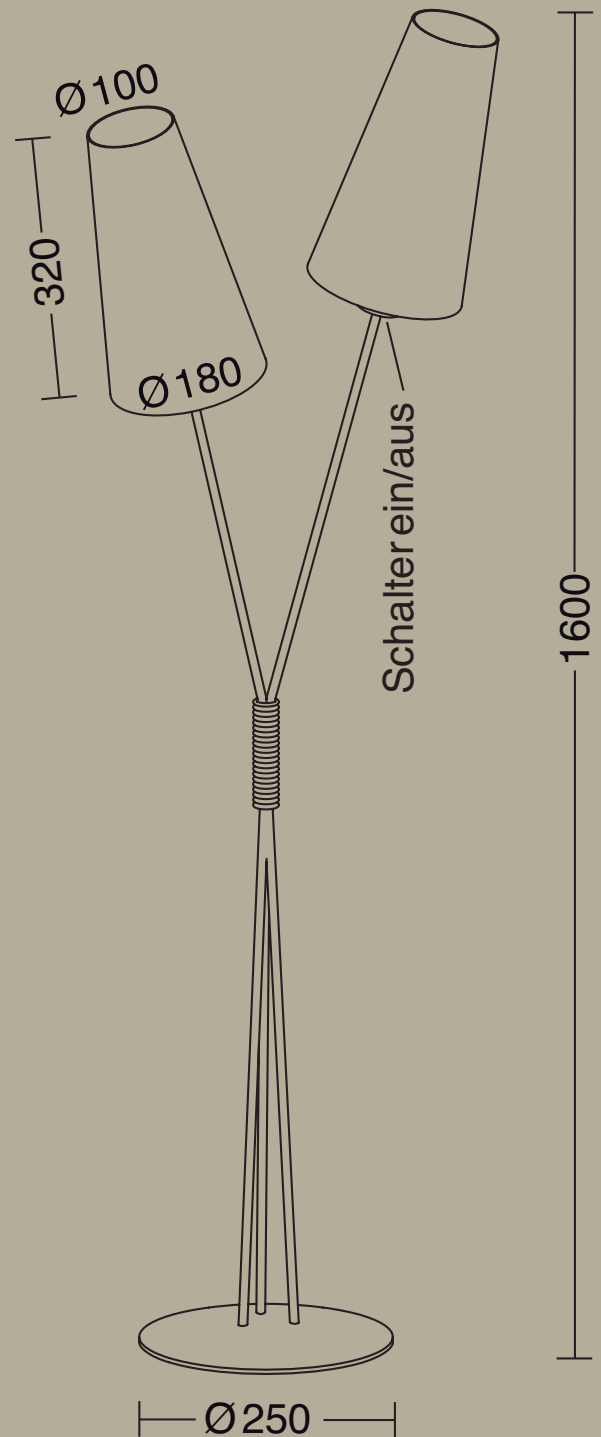
2x E27
only LED bulb
230V
2x On/off switch

Finish

● 6356-2-55	Black
● 6356-2-58	Fume matt
● 6356-2-69	Satin nickel
● 6356-2-9	Polished Brass / Brushed Brass

Chintz shades

755-18-12	Light grey
755-18-14	Orange
755-18-15	Yellow
755-18-16	Rosa
755-18-18	Forest green
755-18-19	Dark blue
755-18-22	Light green
755-18-23	Slate
755-18-4	Champagne
755-18-41	Sand
755-18-42	Taupe
755-18-43	Dark red
755-18-46	Light rose
755-18-47	Light blue
755-18-48	Light mint
755-18-55	Black
755-18-7	White





6357-1-9 + 755-18-22

fifties 1-light

Technical data

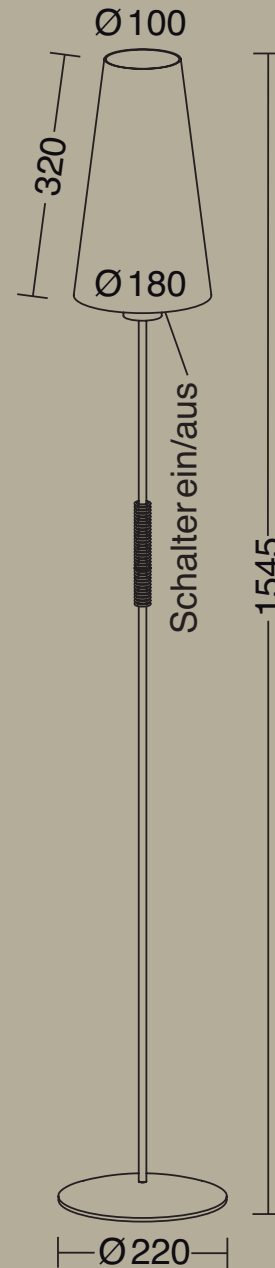
1x E27
only LED bulb
230V
On/off switch

Finish

- 6357-1-55 Black
- 6357-1-58 Fume matt
- 6357-1-69 Satin nickel
- 6357-1-9 Polished Brass / Brushed Brass

Chintz shades

- 755-18-12 Light grey
- 755-18-14 Orange
- 755-18-15 Yellow
- 755-18-16 Rosa
- 755-18-18 Forest green
- 755-18-19 Dark blue
- 755-18-22 Light green
- 755-18-23 Slate
- 755-18-4 Champagne
- 755-18-41 Sand
- 755-18-42 Taupe
- 755-18-43 Dark red
- 755-18-46 Light rose
- 755-18-47 Light blue
- 755-18-48 Light mint
- 755-18-55 Black
- 755-18-7 White



holtkötter classic

Production images Holtkötter classic	224-225
Boyleuchte Technical data	226-227
2527 Technical data	228
9617 Technical data	229
9614 Milieu image	230-231
9614 Technical data	232
9615 Technical data	233
6263 Technical data	234
6354 Technical data	235
6348 Technical data	236
2541 Technical data	237



Brass is a copper-zinc alloy. When it is brazed with silver solder, it turns out to be particularly solid.

holtkötter classic



Polished brass: To achieve this high-quality finish, the brass is polished to a **high gloss** in several steps by hand, with great attention to detail. This is how our classic lamps attain their elegant and timeless appearance.



6370-1-58 + 716-26-41

boyleuchte

Technical data

1x E27
only LED bulb
230V
On/off switch

Finish

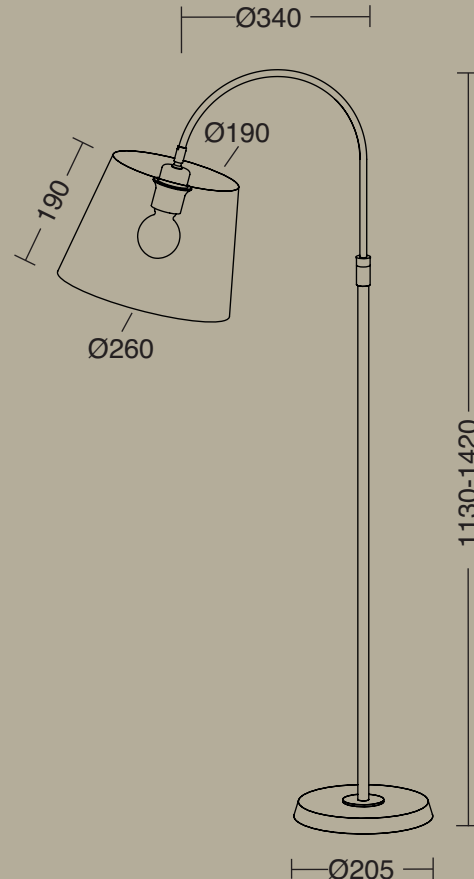
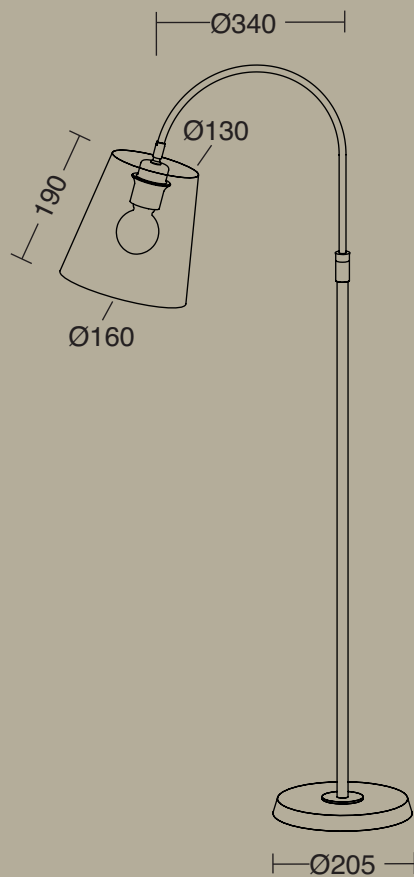
● 6370-1-55	Black
● 6370-1-58	Fume matt
● 6370-1-69	Satin nickel
● 6370-1-99	Brushed Brass

Chintz shades Ø 160mm

● 715-16-4	Champagne
● 715-16-41	Sand
● 715-16-7	White

Chintz shades Ø 260mm

● 716-26-4	Champagne
● 716-26-41	Sand
● 716-26-7	White



2527

Technical data

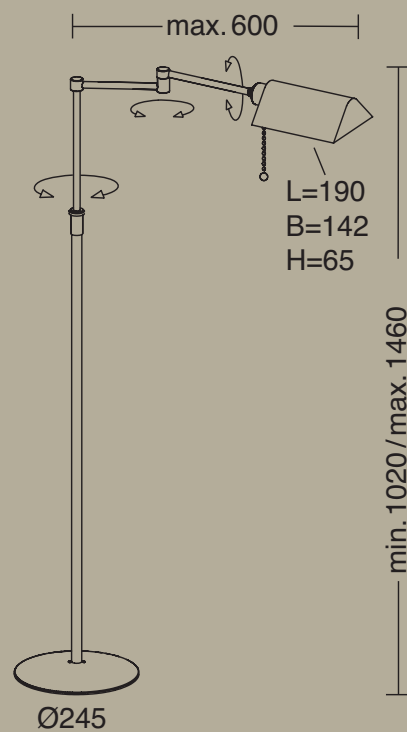
1x E27 max. 100W

230V

Pull cord switch

Finish

- 2527-1-3 Antique Brass
- 2527-1-69 Satin nickel
- 2527-1-99 Brushed Brass



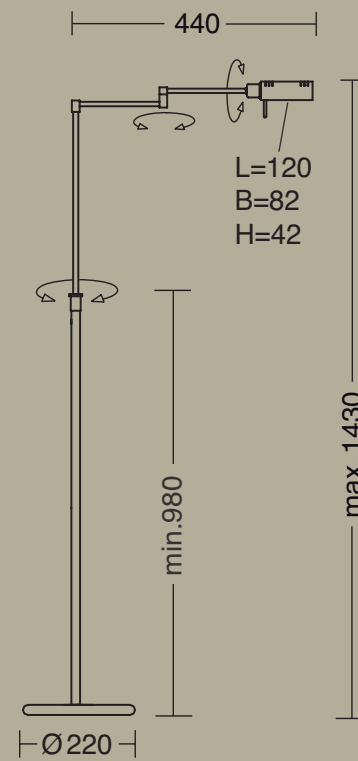
9617

Technical data

1x LED
19W - NV-LED
2200 Lumen
2700 Kelvin
CRI >90
Dimmer

Finish

- 9617-1-53 Fume matt
- 9617-1-69 Satin nickel
- 9617-1-9 Polished Brass / Brushed Brass



9614



9614-1-9



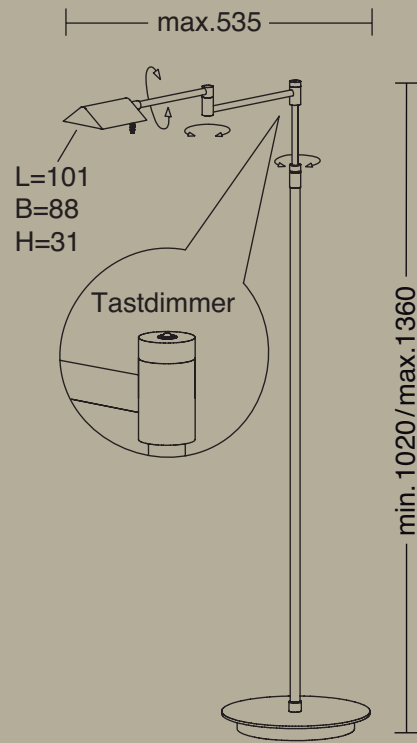
9614

Technical data

1x LED
19W - NV-LED
2200 Lumen
2700 Kelvin
CRI > 90
Dimmer

Finish

- 9614-1-53 Fume matt
- 9614-1-69 Satin nickel
- 9614-1-9 Polished Brass / Brushed Brass



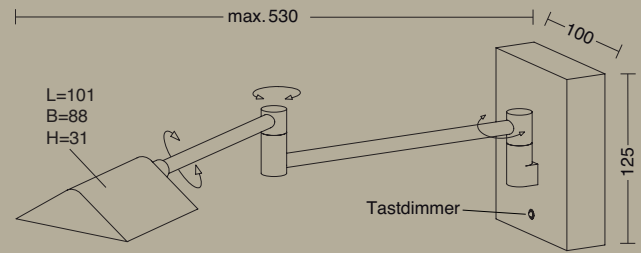
9615

Technical data

1x LED
14W - NV-LED
2000 Lumen
2700 Kelvin
CRI > 90
Dimmer

Finish

- 9615-1-53 Fume matt
- 9615-1-69 Satin nickel
- 9615-1-9 Polished Brass / Brushed Brass



9615-1-9

6263

Technical data

1x E27 max. 75W
230V
On/off switch

Finish

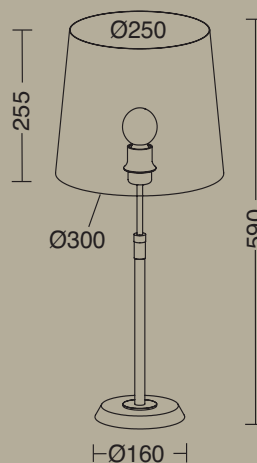
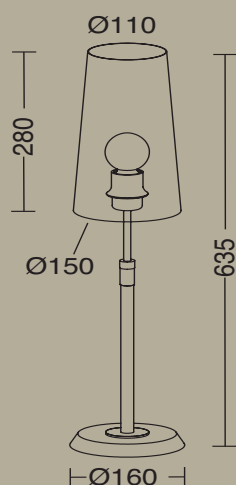
● 6263-1-69 Satin nickel
● 6263-1-99 Brushed Brass

Chintz shades Ø 150mm

● 711-15-4 Chintz Champagne
● 711-15-41 Chintz Sand
● 711-15-7 Chintz White

Chintz shades Ø 300mm

● 713-30-4 Chintz Champagne
● 713-30-41 Chintz Sand
● 713-30-7 Chintz White



6263-1-99 +
711-15-41



6263-1-69 +
713-30-4

6354

Technical data

1x E27 max. 75W
230V
On/off switch

Finish

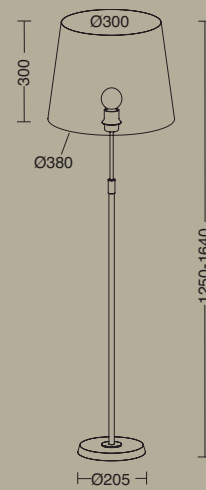
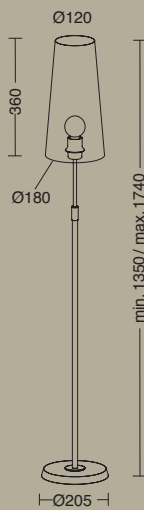
- 6354-1-58 Fume matt
- 6354-1-69 Satin nickel
- 6354-1-99 Brushed Brass

Chintz shades Ø 180mm

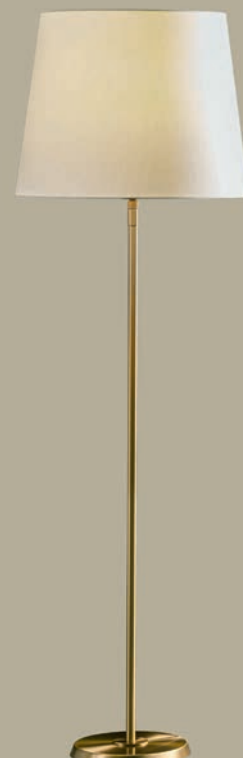
- 710-18-4 Chintz Champagne
- 710-18-41 Chintz Sand
- 710-18-7 Chintz White

Chintz shades Ø 380mm

- 712-38-4 Chintz Champagne
- 712-38-41 Chintz Sand
- 712-38-7 Chintz White



6354-1-69 +
710-18-7



6354-1-99 +
712-38-4

6348

Technical data

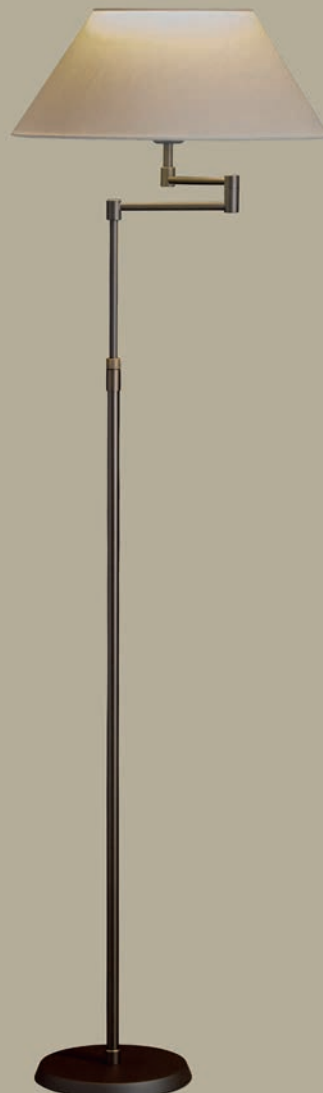
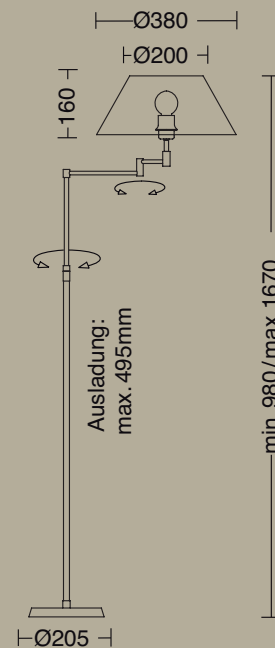
1x E27 max. 75W
230V
On/off switch

Finish

- 6348-1-58 Fume matt
- 6348-1-69 Satin nickel
- 6348-1-9 Polished Brass / Brushed Brass

Chintz shades Ø 380mm

- 709-38-4 Chintz Champagne
- 709-38-41 Chintz Sand
- 709-38-7 Chintz White



6348-1-58 +
709-38-41

2541

Technical data

2x E27 max. 2x 60W

230V

Pull cord switch

Finish

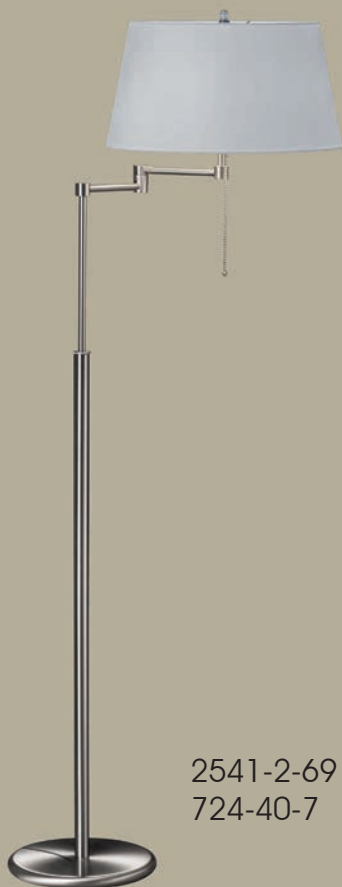
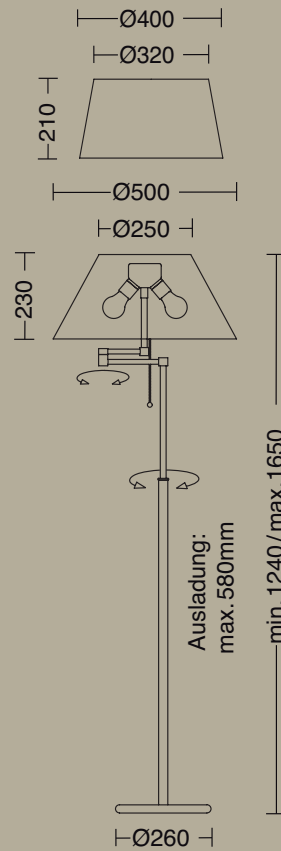
- 2541-2-3 Antique Brass
- 2541-2-69 Satin nickel
- 2541-2-9 Polished Brass / Brushed Brass

Chintz shades Ø 400mm

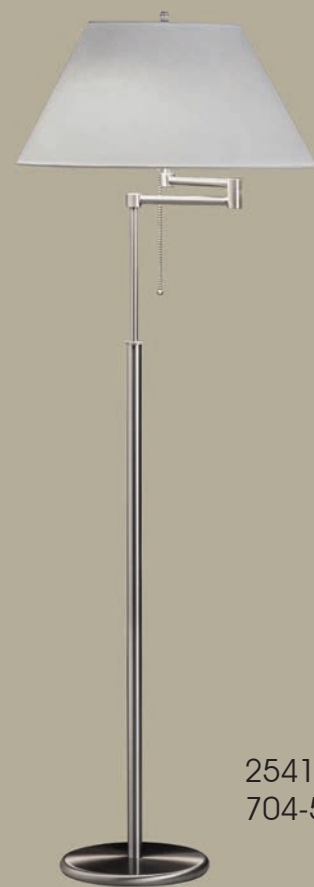
- 724-40-4 Chintz Champagne
- 724-40-41 Chintz Sand
- 724-40-7 Chintz White

Chintz shades Ø 500mm

- 704-50-4 Chintz Champagne
- 704-50-41 Chintz Sand
- 704-50-7 Chintz White



2541-2-69 +
724-40-7



2541-2-69 +
704-50-7

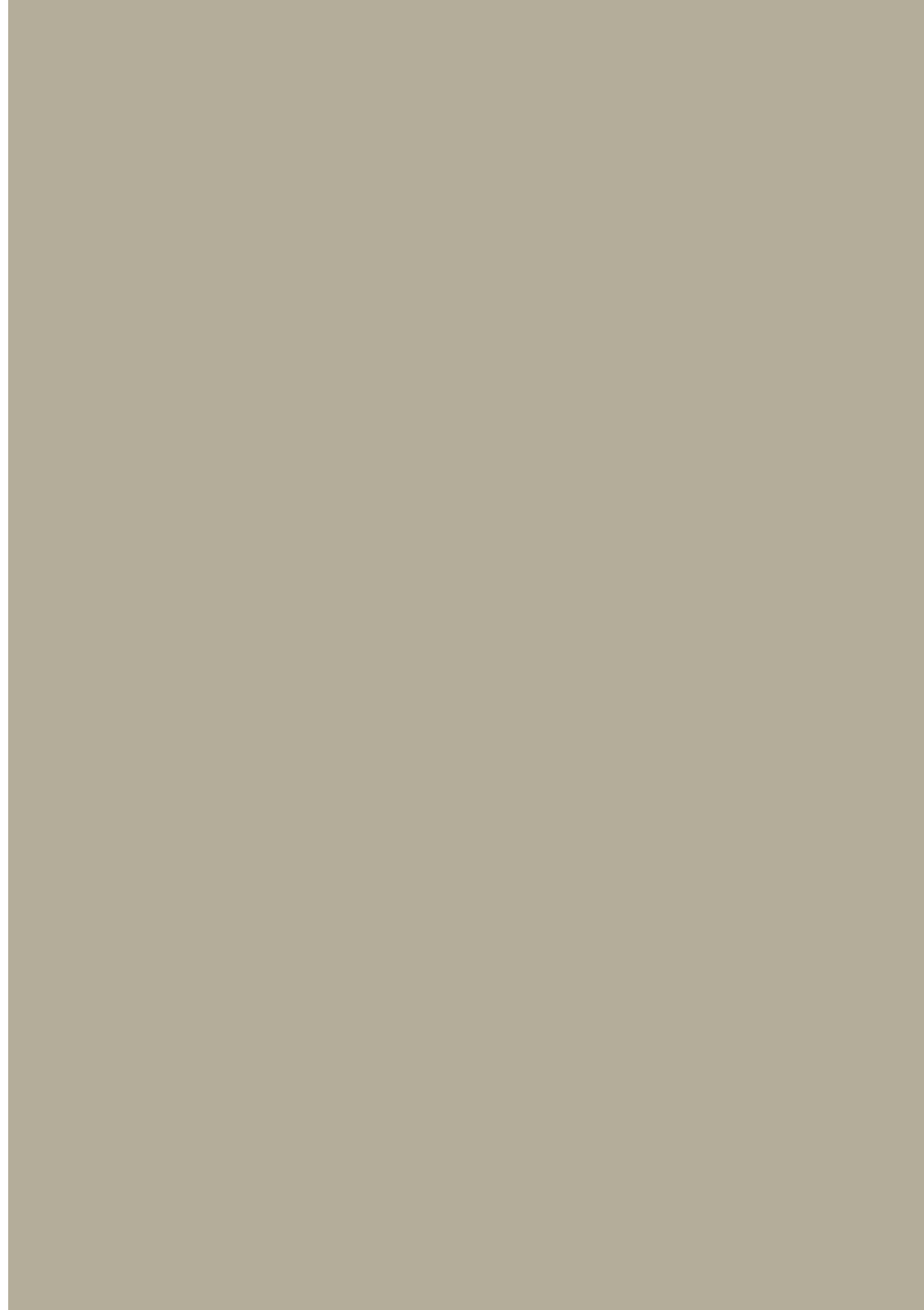
Item.....	Page		
2020 AURA S.....	140	2190 SUPERNOVA GT.....	99
2022 AURA P2.....	144	2309 XENA XS.....	127
2023 AURA P3.....	146	2312 XENA S.....	127
2025 AURA R3.....	146	2316 XENA L.....	127
2026 AURA E.....	142	2321 AVIOR S.....	121
2027 AURA A.....	142	2322 AVIOR M.....	121
2028 AURA P1.....	142	2323 AVIOR L.....	121
2040 VINCE S.....	97	2404 FIDELIO.....	44-48
2050 FAVOR S.....	55	2410 PLISSEE S.....	10
2051 FAVOR.....	57	2411 PLISSEE T1.....	14
2052 FAVOR.....	58	2412 PLISSEE T2.....	19
2053 FAVOR.....	60	2413 PLISSEE W.....	20
2120 SUPERNOVA P.....	88	2414 PLISSEE D.....	25
2121 SUPERNOVA PW.....	88	2527.....	228
2130 SUPERNOVA D.....	84	2541.....	237
2131 SUPERNOVA DW.....	84	5301 VITA 3.....	209
2140 SUPERNOVA W.....	103	5302 VITA P.....	208
2141 SUPERNOVA WD.....	103	5306 VITA 6.....	210
2145 SUPERNOVA S.....	95	5320 LIV.....	31
2146 SUPERNOVA T.....	100	5320 GOLYO.....	34
2155 SUPERNOVA DTW.....	95	6263.....	234
2160 SUPERNOVA DL.....	104	6348.....	236
2165 ORBIT.....	105	6354.....	235
2171 JANUS E.....	76	6355.....	216
2173 JANUS K.....	77	6356.....	219
2183 JANUS H.....	74	6357.....	221

Item.....Page

6370 BOYLEUCHE	227	9930 TYPE S	110
9231 EPSILON	135	9931 TYPE T	112
9232 EPSILON	135	9940 NAXOS	68
9236 EPSILON	135		
9614	232		
9615	233		
9617	229		
9652 PLANO TWIN	176		
9656 PLANO B	173		
9657 PLANO T	178		
9658 PLANO WB	182		
9659 PLANO S	175		
9901 PLANO	180		
9906 NOVA	160		
9907 NOVA OOG	155		
9908 NOVA FLEX	205		
9909 NOVA PLANO	165		
9914 PLANO WD	185		
9915 PLANO W	184		
9920 FLEX S	192		
9921 FLEX T	198		
9922 FLEX W	200		
9923 FLEX D3	202		
9924 FLEX TWIN	197		
9925 FLEX D5	203		
9926 FLEX K	199		

NOTES

A series of horizontal dotted lines for writing notes.



QUALITY MADE IN GERMANY



HOLTKÖTTER LICHT GMBH / Waldliesborner Straße 45 / D-59329 Wadersloh

T +49 (0) 2523 9825 0 / F +49 (0) 2523 9825 50 / www.holtkoetter.de